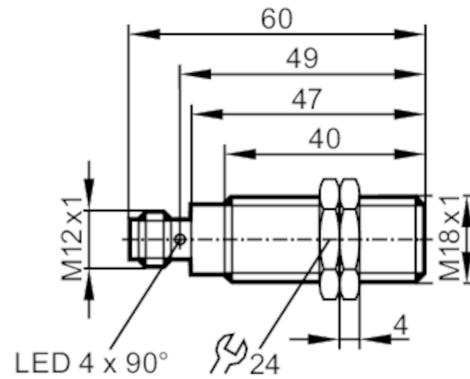


IG5667



Inductive sensor

IGK3005UBPKG/US-104-DPS



Product characteristics

Electrical design	PNP
Output function	normally open
Sensing range [mm]	5
Housing	threaded type
Dimensions [mm]	M18 x 1 / L = 60

Application

Special feature	Magnetic-field immune
Magnetic-field immune	yes

Electrical data

Operating voltage [V]	10...36 DC
Current consumption [mA]	7.8; (24 V)
Protection class	II
Reverse polarity protection	yes

Outputs

Electrical design	PNP
Output function	normally open
Max. voltage drop switching output DC [V]	2.5
Permanent current rating of switching output DC [mA]	250
Switching frequency DC [Hz]	700
Short-circuit protection	yes
Type of short-circuit protection	pulsed
Overload protection	yes

Detection zone

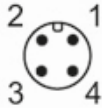
Sensing range [mm]	5
Real sensing range S_r [mm]	$5 \pm 10 \%$
Operating distance [mm]	0...4.05

IG5667



Inductive sensor

IGK3005UBPKG/US-104-DPS

Accuracy / deviations		
Correction factor	steel: 1 / stainless steel: 0.7 / brass: 0.4 / aluminium: 0.3 / copper: 0.2	
Hysteresis [% of Sr]	1...15	
Switch point drift [% of Sr]	-10...10	
Operating conditions		
Ambient temperature [°C]	-25...70	
Protection	IP 67	
Tests / approvals		
EMC	EN 60947-5-2	
	EN 55011	class B
MTTF [years]	1434	
UL approval	Ta	0...40 °C
	Enclosure type	Type 1
	voltage supply	Hazardous voltage
	File number UL	E174191
Mechanical data		
Weight [g]	69.4	
Housing	threaded type	
Mounting	flush mountable	
Dimensions [mm]	M18 x 1 / L = 60	
Thread designation	M18 x 1	
Materials	brass white bronze coated; sensing face: plastics PTFE coated	
Displays / operating elements		
Display	switching status	1 x LED, yellow
Accessories		
Accessories (supplied)	lock nuts: 2	
Remarks		
Pack quantity	1 pcs.	
Electrical connection - plug		
Connector: 1 x M12		
		

IG5667



Inductive sensor

IGK3005UBPKG/US-104-DPS

Connection

