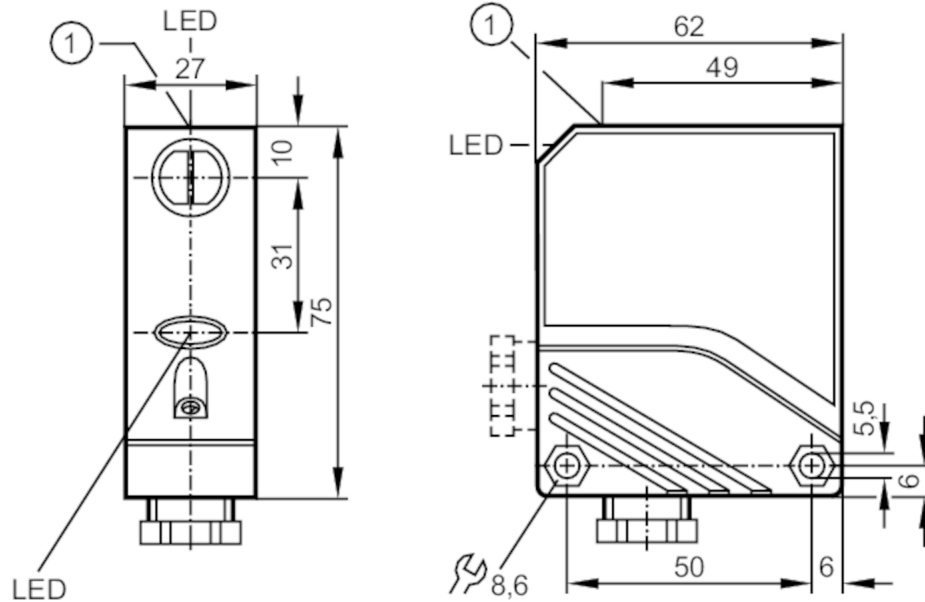




## Through-beam sensor receiver

OLE-FKOA



1 pushbutton



### Product characteristics

Type of light	infrared light
Housing	rectangular
Dimensions [mm]	75 x 27 x 62

### Application

Function principle	Through-beam sensor
--------------------	---------------------

### Electrical data

Frequency AC [Hz]	47...63
Operating voltage [V]	20...250 AC/DC
Max. power consumption [VA]	4
Protection class	II
Reverse polarity protection	no
Type of light	infrared light
Wave length [nm]	880

### Outputs

Electrical design	relay
Output function	light-on/dark-on mode; (programmable)
Contact rating	250 V AC / 3 A / 950 VA, 125 V DC / 5 A / 120 W
Switching frequency AC [Hz]	10
Switching frequency DC [Hz]	10
Short-circuit proof	no
Overload protection	no



## Through-beam sensor receiver

OLE-FKOA

### Detection zone

Transmitter / receiver		receiver
Range	[m]	< 25

### Operating conditions

Ambient temperature	[°C]	-25...80
Protection		IP 67

### Tests / approvals

EMC		EN 60947-5-2	
		EN 55011	class B
MTTF	[years]		233

### Mechanical data

Weight	[g]	166.5
Housing		rectangular
Dimensions	[mm]	75 x 27 x 62
Materials		PA; PBT
Lens material		PMMA
Lens alignment		side lens

### Displays / operating elements

Display	switching status	1 x LED, yellow
	operation	1 x LED, green
	function	1 x LED, red

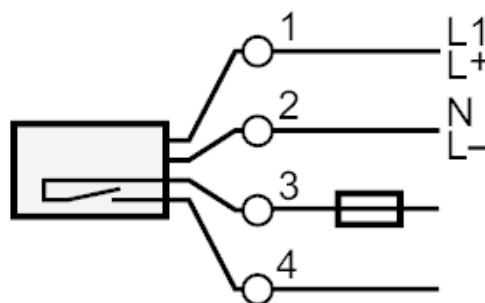
### Remarks

Pack quantity	1 pcs.
---------------	--------

### Electrical connection

terminals: ...1.5 mm<sup>2</sup>; Cable sheath: Ø 4.5...10 mm; Cable gland: M16 X 1.5

### Connection





Through-beam sensor receiver

OLE-FKOA

Diagrams and graphs

excess gain graph

