

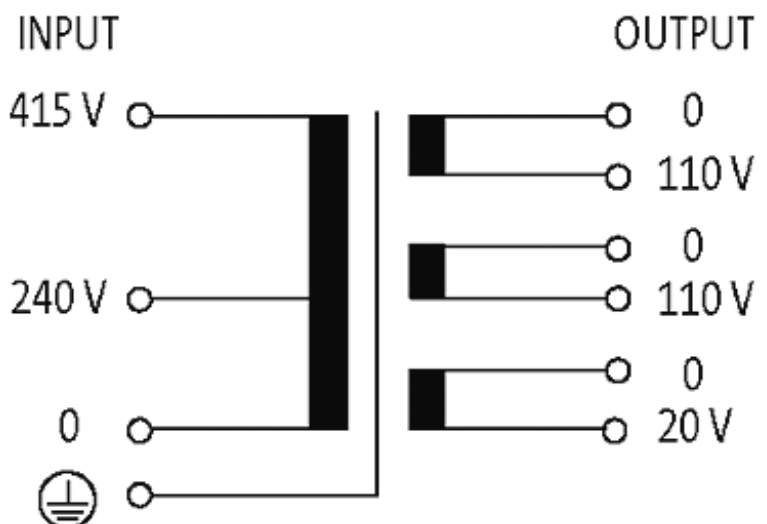
MET 1-PHASE CONTROL AND ISOLATION TRANSFORMER

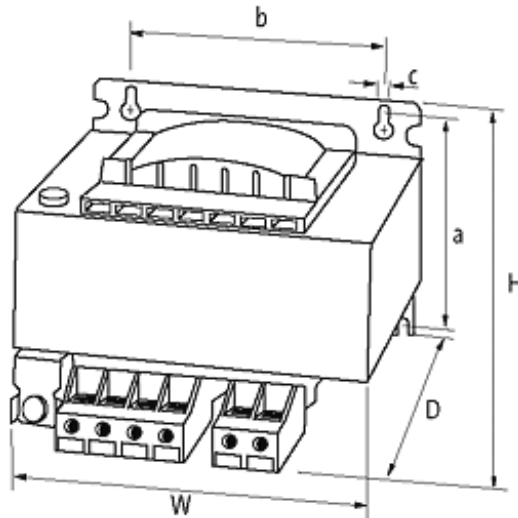
P: 630VA IN: 240-415VAC OUT: 110-110-20VAC

Single-phase - Control and Isolation Transformers
630 VA
Isolation class T 60/B

[Link to Product](#)

Illustration





Product may differ from Image

Approvals



Input

Input voltage	240/415 V AC
Short-circuit current	82.3 A (240 V AC); 47.7 A (415 V AC)
Input current	2.98 A (240 V AC); 1.71 A (415 V AC)
Inrush current	75.6 A (240 V AC); 43.4 A (415 V AC)

General data

Standards	(EN 61558-1), (EN 61558-2-4), (EN 62041 category 0)
Test isolation voltage	4 kV (prim./sec.)
Mounting method	Key-hole mounting
Dimensions H × W × D	129×150×148 mm
Fixing centers a × b × c	107.5×122×7 mm
Drill hole Ø	7×11 mm
Temperature range	-20...+60 °C, no condensation

Output

Output voltage	110/240 V AC
----------------	--------------

Commercial data

country of origin	CZ
customs tariff number	85043180
minimum order quantity	1