

### Model Number

NJ15-30GK-E2-T

### Features

- Comfort series
- 15 mm non-flush
- Temperature range  
-25 ... 100 °C (-13 ... 212 °F)

### Accessories

BF 30  
Mounting flange, 30 mm

## Technical Data

### General specifications

Switching element function	PNP	NO
Rated operating distance	$s_n$	15 mm
Installation		non-flush
Output polarity		DC
Assured operating distance	$s_a$	0 ... 12.15 mm
Reduction factor $r_{AI}$		0.4
Reduction factor $r_{Cu}$		0.3
Reduction factor $r_{304}$		0.85

### Nominal ratings

Operating voltage	$U_B$	10 ... 30 V
Switching frequency	$f$	0 ... 300 Hz
Hysteresis	$H$	0 ... 8 typ. 3 %
Reverse polarity protection		reverse polarity protected
Short-circuit protection		pulsing
Voltage drop	$U_d$	$\leq 3$ V
Operating current	$I_L$	0 ... 200 mA
No-load supply current	$I_0$	$\leq 20$ mA

### Ambient conditions

Ambient temperature	-25 ... 100 °C (-13 ... 212 °F)
---------------------	---------------------------------

### Mechanical specifications

Connection type	cable PUR, 2 m
Core cross-section	0.75 mm <sup>2</sup>
Housing material	PBT
Sensing face	PBT
Protection degree	IP68

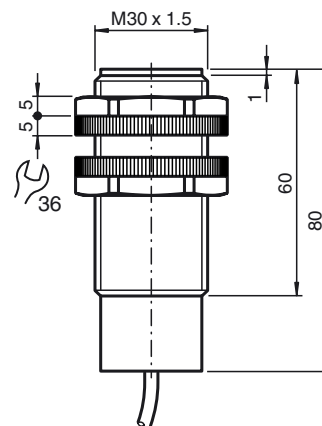
### Compliance with standards and directives

Standard conformity	
Standards	EN 60947-5-2:2007 IEC 60947-5-2:2007

### Approvals and certificates

UL approval	cULus Listed, General Purpose
CSA approval	cCSAus Listed, General Purpose

## Dimensions



## Electrical Connection

