



ACCESSORY FOR 3KD FRAME SIZE 1 4TH  
CONTACT ELEMENT, SWITCHABLE BOX TERMINAL

Model		
product brand name		SENTRON
Product designation		Accessories for switch disconnectors
Design of the product		Fourth pole

Suitability		
Suitability for use		For 3KD size 1

Product details		
Product description		switchable
Height	mm	119
Depth	mm	60.5

### General Product Approval



### Further information

Information- and Downloadcenter (Catalogs, Brochures,...)

<http://www.siemens.com/lowvoltage/catalogs>

Industry Mall (Online ordering system)

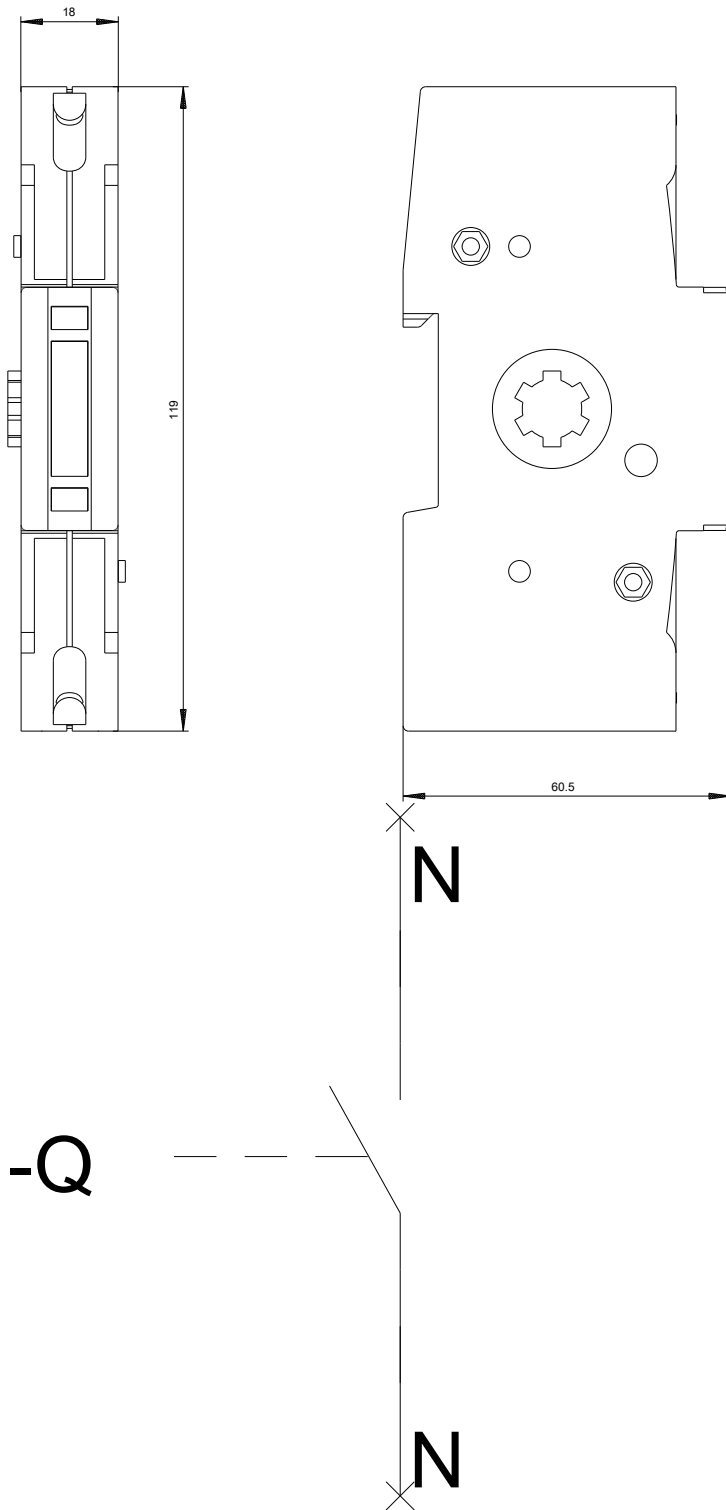
<https://eb.automation.siemens.com/mall/en/WW/Catalog/Product/3KD91052>

Service&Support (Manuals, Certificates, Characteristics, FAQs,...)

<http://support.automation.siemens.com/WW/view/en/3KD91052/all>

Image database (product images, 2D dimension drawings, 3D models, device circuit diagrams, ...)

[http://www.automation.siemens.com/bilddb/cax\\_en.aspx?mlfb=3KD91052](http://www.automation.siemens.com/bilddb/cax_en.aspx?mlfb=3KD91052)



**last modified:**

11.03.2015