

# Spotlight

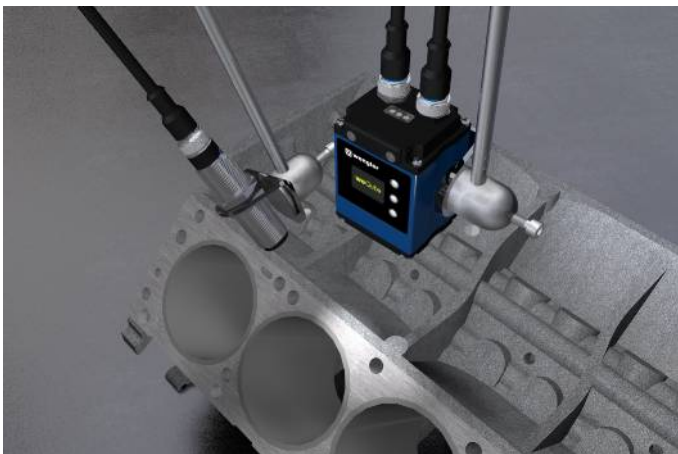
## ZVZF201

Part Number



- Compact M18 standard format with IP67 protection
- Continuous mode or flash mode synchronized with the camera
- Homogenous illumination of small areas

wenglor spotlights are ideally suited for vision applications in which only small areas need to be homogeneously illuminated. They can be operated in the continuous mode, or synchronized to the camera in the flash mode. Above all in applications where space is limited, users profit from the compact M18 format.

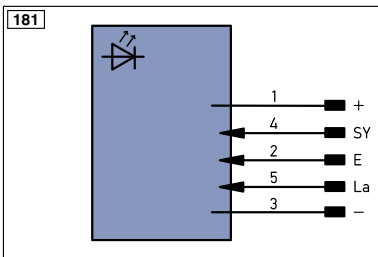
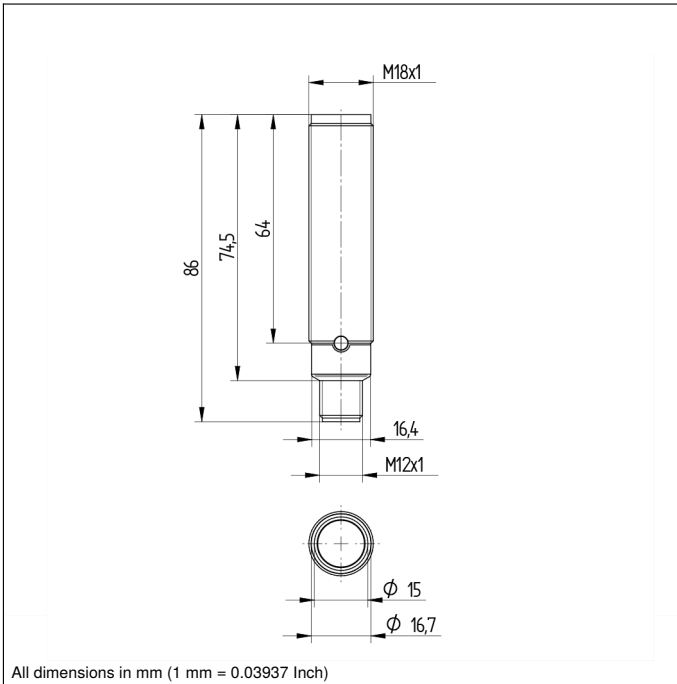


### Technical Data

Optical Data	
Light Source	Red Light
Wavelength	634 nm
Service Life (T = +25 °C)	100000 h
Opening Angle	30 °
Electrical Data	
Supply Voltage	18...30 V DC
Current Consumption Flash Mode (Ub = 24 V)	< 220 mA
Current Consumption Continuous Mode (Ub = 24 V)	< 100 mA
Flash Duration	17...30000 µs
Duty Cycle	< 0,2
Temperature Range	-30...50 °C
Storage temperature	-30...60 °C
Short Circuit and Overload Protection	yes
Reverse Polarity Protection	yes
Protection Class	III
Mechanical Data	
Housing Material	CuZn, nickel-plated
Degree of Protection	IP67
Connection	M12 × 1; 4/5-pin
Safety-relevant Data	
MTTFd (EN ISO 13849-1)	2494,3 a
Connection Diagram No.	181
Connection Table No.	60
Suitable Connection Equipment No.	2 35 37
Suitable Mounting Technology No.	150

### Complementary Products

Connection Cable ZDCG001  
Connection Cable ZDMG001



Legend					
+	Supply Voltage +	PT	Platinum measuring resistor	EN <sup>A</sup> ES42Z	Encoder A/Ā (TTL)
-	Supply Voltage 0 V	nc	not connected	EN <sup>B</sup> ES42Z	Encoder B/B̄ (TTL)
~	Supply Voltage (AC Voltage)	U	Test Input	EN <sup>A</sup>	Encoder A
A	Switching Output (NO)	Ū	Test Input inverted	EN <sup>B</sup>	Encoder B
Ā	Switching Output (NC)	W	Trigger Input	A <sub>MIN</sub>	Digital output MIN
V	Contamination/Error Output (NO)	W-	Ground for the Trigger Input	A <sub>MAX</sub>	Digital output MAX
Ṽ	Contamination/Error Output (NC)	O	Analog Output	A <sub>OK</sub>	Digital output OK
E	Input (analog or digital)	O-	Ground for the Analog Output	SY <sub>in</sub>	Synchronization In
T	Teach Input	BZ	Block Discharge	SY <sub>OUT</sub>	Synchronization OUT
Z	Time Delay (activation)	AWV	Valve Output	OLT	Brightness output
S	Shielding	a	Valve Control Output +	M	Maintenance reserved
RxD	Interface Receive Path	b	Valve Control Output 0 V	rsv	reserved
TxD	Interface Send Path	SY	Synchronization	Wire Colors according to IEC 60757	
RDY	Ready	SY-	Ground for the Synchronization	BK	Black
GND	Ground	E+	Receiver-Line	BN	Brown
CL	Clock	S+	Emitter-Line	RD	Red
E/A	Output/Input programmable	⊕	Grounding	OG	Orange
	IO-Link	S <sub>n</sub> R	Switching Distance Reduction	YE	Yellow
PoE	Power over Ethernet	Rx+/-	Ethernet Receive Path	GN	Green
IN	Safety Input	Tx+/-	Ethernet Send Path	BU	Blue
OSSD	Safety Output	Bus	Interfaces-Bus A(+)/B(-)	VT	Violet
Signal	Signal Output	La	Emitted Light disengageable	GY	Grey
BI...D+/-	Ethernet Gigabit bidirect. data line (A-D)	Mag	Magnet activation	WH	White
EN <sup>0</sup> ES42Z	Encoder 0-pulse 0-0 (TTL)	RES	Input confirmation	PK	Pink
		EDM	Contacting Monitoring	GNYE	Green/Yellow

### Light Distribution Diagram

Flash mode, referring to different working distances

#### ZVZF201

