

PRODUCT DATA SHEET

P/N 624 1018 3 01

Crimping dies for use with following crimping tools and machines



P/N 624 000 6
P/N 624 000 3



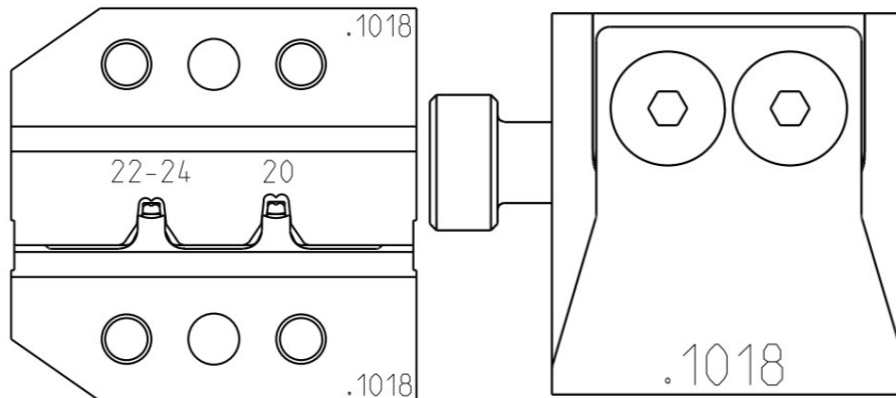
P/N 6370 0100 1



P/N 636 025-1
P/N 636 025-5
P/N 636 025-3

Product Description Die Set 12.1018 incl. locator

Product Image



Product range mm² or AWG 22-24 AWG

Applications Contact P/N	Contact Description	Manufacturer	P/N Contact on Reel	Type	Range in AWG
	3.00 Female Crimp Contact	Würth Elektronik	66200113722	Female	AWG 24 - AWG 22
	3.00 Male Crimp Contact	Würth Elektronik	66200213722	Male	AWG 24 - AWG 22