

PLEASE CHECK WWW.MOLEX.COM FOR LATEST PART INFORMATION

Part Number: [0559172010](#)
Status: **Active**
Overview: [MicroClasp Wire-to-Board System](#)
Description: 2.00mm Pitch MicroClasp Wire-to-Board Header, Dual Row, Vertical, 20 Circuits, with PCB Locator

Documents:

[3D Model](#) [Packaging Specification 559179200-SPK-200 \(PDF\)](#)
[Drawing \(PDF\)](#) [RoHS Certificate of Compliance \(PDF\)](#)
[Product Specification PS-51353-003-001 \(PDF\)](#)

Agency Certification

UL E29179

General

Product Family PCB Headers
 Series [55917](#)
 Application Signal, Wire-to-Board
 Overview [MicroClasp Wire-to-Board System](#)
 Product Name MicroClasp
 UPC 756054244289

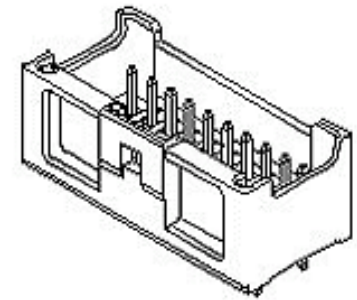
Physical

Breakaway No
 Circuits (Loaded) 20
 Circuits (maximum) 20
 Color - Resin Natural
 Durability (mating cycles max) 30
 First Mate / Last Break No
 Flammability 94V-0
 Glow-Wire Capable No
 Guide to Mating Part No
 Keying to Mating Part None
 Lock to Mating Part Yes
 Material - Plating Mating Tin
 Material - Plating Termination Tin
 Material - Resin Polyester
 Net Weight 1518.800/mg
 Number of Rows 2
 Orientation Vertical
 PC Tail Length 3.20mm
 PCB Locator Yes
 PCB Retention Yes
 PCB Thickness - Recommended 1.60mm
 Packaging Type Tray
 Pitch - Mating Interface 2.00mm
 Shrouded Fully
 Stackable No
 Surface Mount Compatible (SMC) No
 Temperature Range - Operating -25° to +85°C
 Termination Interface: Style Through Hole

Electrical

Current - Maximum per Contact 3.0A
 Voltage - Maximum 250V

Material Info



Series image - Reference only

EU ELV

Not Relevant

EU RoHS

Compliant

REACH SVHC

Not Contained Per -
 ED/61/2018 (27 June
 2018)

Halogen-Free

Status

Not Low-Halogen

For more information, please visit [Contact US](#)

China ROHS

ELV

RoHS Phthalates

China RoHS

Green Image

Not Relevant

Not Contained

Search Parts in this Series

[55917 Series](#)

Mates With

[51353](#) MicroClasp Wire-to-Board Receptacle Housing

Reference - Drawing Numbers

Packaging Specification

Product Specification

Sales Drawing

559179200-SPK-200

PS-51353-003-001

SD-55917-001, SD-55917-003

This document was generated on 10/02/2018

PLEASE CHECK WWW.MOLEX.COM FOR LATEST PART INFORMATION