

# Fuse Holder for 14mm × 51mm PV Fuse

**RoHS  
Compliant**



## Description

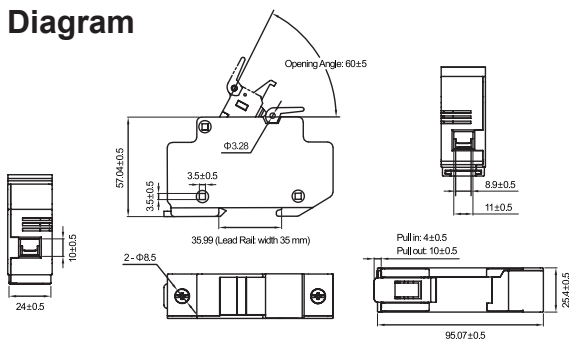
This product is touch safe holder designed for 14mm × 51mm cylindrical fuse links, especially for use with photovoltaic equipment. The touch safe holder has an indicator light. It will light up when the circuit is interrupted.

The touch safe fuse holders are designed for all standard 14mm × 51mm PV fuses. The current rating is up to 30A at 1500V DC. It can effectively protect 1500V DC cuicuits and equipment in photovoltaic applications.

## Specifications

Rated	: 1500V DC
Rated Current	: 30A
Rated Breaking Capacity	: 10kA
Wire Range	: 13AWG to 5AWG (2mm <sup>2</sup> to 20mm <sup>2</sup> )
Max. Torque	: 3.4N.m
Max. Heat Dissipation	: 8W
Operation Temperature	: -40°C to +150°C
Material Flammability	: UL 94 V0
Mounting	: DIN Rail mounting
Standards	: UL 4248-19; EN 60947-3
Approvals	: UL (File: E486822) TUV (File: R50393975)

## Diagram



## Part Number Table

Description	Part Number
Fuse Holder for 14mm × 51mm PV Fuses, DIN Rail	MP006272

**Important Notice :** This data sheet and its contents (the "Information") belong to the members of the AVNET group of companies (the "Group") or are licensed to it. No licence is granted for the use of it other than for information purposes in connection with the products to which it relates. No licence of any intellectual property rights is granted. The Information is subject to change without notice and replaces all data sheets previously supplied. The Information supplied is believed to be accurate but the Group assumes no responsibility for its accuracy or completeness, any error in or omission from it or for any use made of it. Users of this data sheet should check for themselves the Information and the suitability of the products for their purpose and not make any assumptions based on information included or omitted. Liability for loss or damage resulting from any reliance on the Information or use of it (including liability resulting from negligence or where the Group was aware of the possibility of such loss or damage arising) is excluded. This will not operate to limit or restrict the Group's liability for death or personal injury resulting from its negligence. Multicomp Pro is the registered trademark of Premier Farnell Limited 2019.