

# SMA Male Crimp

**RoHS  
Compliant**

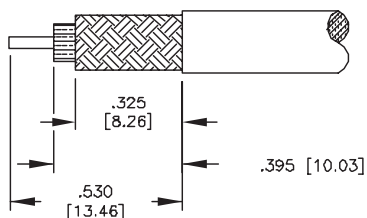
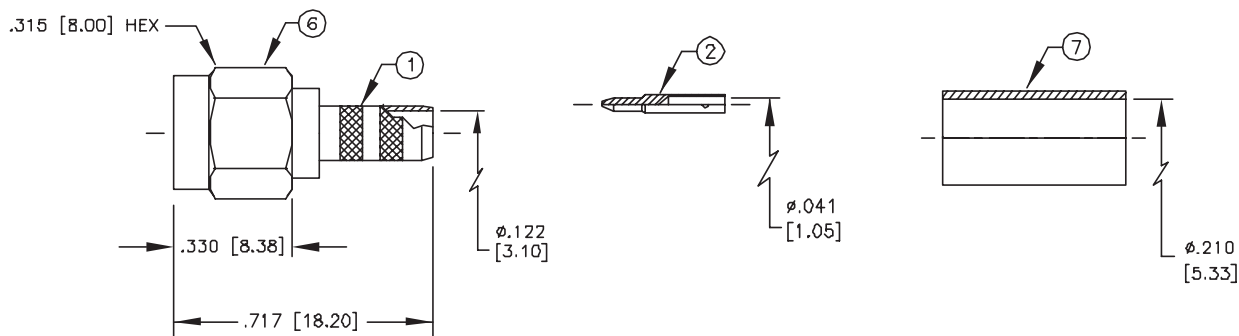


### Specifications:

Impedance : 50Ω  
 Working Voltage : 500V Peak @ Sea level  
 Frequency Range : 0 - 12.4 GHz  
 Insertion Loss : ≤ -0.2dB @ 6 GHz  
 VSWR Max. : 1.3 : 1 @ 12 GHz

For RG-58, 58A, 58C, 141, 141A, 400/U, Belden 8240, 8259, 8262, 9201, 9203, 9310, 9311 cable  
 Interface per Mil-STD-348A, Section 310.1

### Diagram



SUGGESTED STRIPPING INSTRUCTIONS  
 SUGGESTED CRIMP: .213  
 PIN TO BE SOLDERED OR CRIMPED

Item	Description	QTY	Material	Finish
1	Body	1	Brass	Gold
2	Pin	1	Brass	Gold
3	Dielectric	1	Teflon	None
4	Gasket	1	S. L. Rubber	Bright Orange
5	Retaining Ring	1	Beryllium Copper	None
6	Shell	1	Brass	Gold
7	Ferrule	1	Brass	Gold

Dimensions : Inches(Millimeters)

### Part Number Table

Description	Part Number
SMA Male Crimp	8589-0865

**Important Notice :** This data sheet and its contents (the "Information") belong to the members of the AVNET group of companies (the "Group") or are licensed to it. No licence is granted for the use of it other than for information purposes in connection with the products to which it relates. No licence of any intellectual property rights is granted. The Information is subject to change without notice and replaces all data sheets previously supplied. The Information supplied is believed to be accurate but the Group assumes no responsibility for its accuracy or completeness, any error in or omission from it or for any use made of it. Users of this data sheet should check for themselves the Information and the suitability of the products for their purpose and not make any assumptions based on information included or omitted. Liability for loss or damage resulting from any reliance on the Information or use of it (including liability resulting from negligence or where the Group was aware of the possibility of such loss or damage arising) is excluded. This will not operate to limit or restrict the Group's liability for death or personal injury resulting from its negligence. Multicomp Pro is the registered trademark of Premier Farnell Limited 2019.