

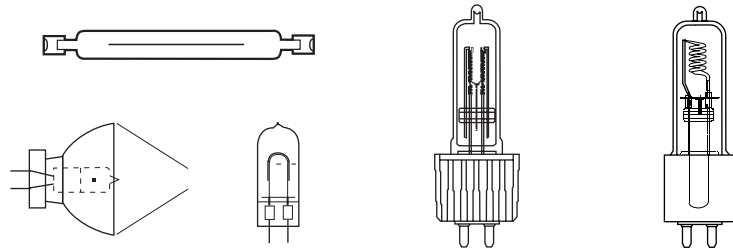
OSRAM BRAND PHOTO-OPTIC LIGHT SOURCES

Lighting to provide solutions in diverse applications such as effect lighting, stage, studio, TV, projection systems, microlithography, medical/scientific, industrial, and airfield/aircraft.

Photo-Optic Lamp Types

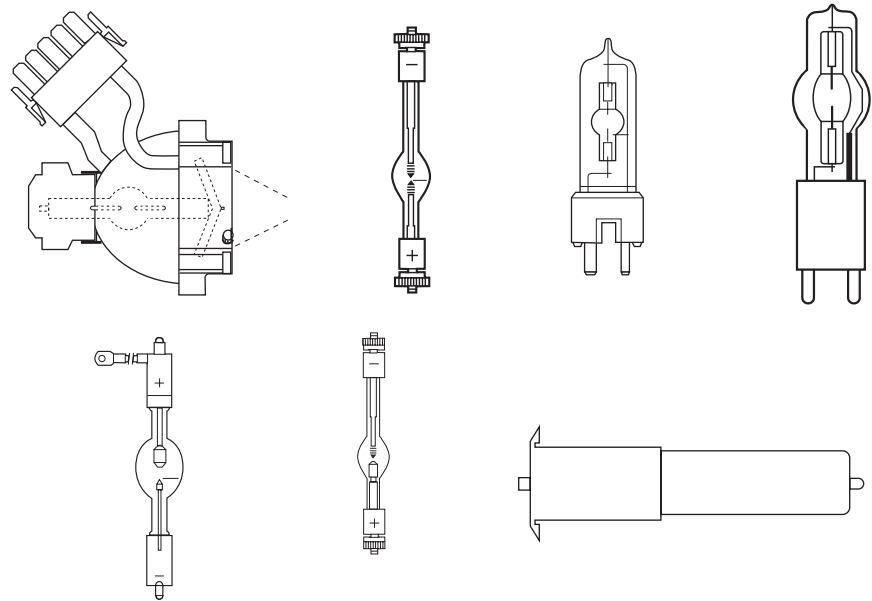
HALOGEN

- Airfield/Aircraft
- Audio Visual
- Special Purpose Heat Lamps
- Studio, Theatre, TV & Video
- HPL
- HPR™
- OSRAM STUDIOLINE®



DISCHARGE

- HBO®
- HMD®
- HMI®
- HMP®
- HSD®
- HSR®
- HTI®
- LINEX®
- VIP®
- XBO®
- XERADEX®



The following item was accepted into the 2003 IESNA Progress Report which recognizes innovative products introduced to the industry during that year.

LINEX Mercury-Free Xenon Fluorescent Systems

IMPORTANT! PHOTO-OPTIC WARNINGS

In accordance with ANSI/IESNA Standard RP-27, all Photo-Optic Discharge lamps are Risk Group 3 products, and all Photo-Optic Incandescent and Tungsten Halogen lamps are Risk Group 2 products.

Please read and understand the Safety and Warning Instructions for each lamp type before use. Safety and Warning Instructions can be found at the end of this Photo-Optic section.

AUDIOVISUAL

ANSI Code	Product Number	Ordering Abbreviation	Application	Watts	Volts	Base	Lumens	Avg Rated Life(hrs)	Bulb	Pkg Qty	Footnotes
BAA	54924	BAA	Projector	75	28	GX5.3		2000	MR16	24	
BBA	11619	BBA 118V	Photoflood No.1/Enlarger & Printer	250	118	Med		4	A21	12	
BCK	54576	BCK	Projector - Slide	500	120	G17t		50	T6	24	1
BHC/DYS/DYV	54836	BHC/DYS/DYV	Projector, Microfilm, Stage & Studio	600	120	GZ9.5	17500	75	T6	24	
BHC/DYS/DYV/X	54868	BHC/DYS/DYV/X	Projector, Microfilm, Stage & Studio	600	120	GZ9.5	14500	250	T6	24	
BHC/DYS/DYV-5	54835	BHC/DYS/DYV-5	Projector, Microfilm, Stage & Studio	600	125	GZ9.5	17500	75	T6	24	2
BRJ/EVB	54039	BRJ/EVB 64633 HLX	Projector, Microfilm, Microscope, Studio	150	15	G6.35	5600	50	T3.25	100	
BRL	54034	BRL 64610 HLX	Projector, Microfilm, Microscope, Studio	50	12	G6.35	1600	50	T3	100	
BRL	54035	BRL 64610 HLX BULK	Project, Microfilm, Microscope, Studio	50	12	G6.35	1600	50	T3	250	
BRN	54698	BRN	Projector	1200	120	G17q		20	T7	24	3
BVA	54673	BVA	Projector	900	120	GY9.5		75	T7	24	
BVE	54812	BVE	Projector, Microfilm, Stage & Studio	625	120	GY9.5		50	T6	24	
CAX	58831	CAX	Projector, Microfilm, Microscope, Studio	50	120	DC Bayonet	750	250	T4	24	
CBA	54580	CBA	Projector - Slide	500	120	G17t		50	T6	24	1
DDK	54729	DDK	Projector	80	19	GX5.3	150	50	T3.15	24	4
DDL	54660	DDL	Projector - Microfilm	150	20	GX5.3		500	MR16	24	
DDM	54737	DDM	Projector - Slide	80	19	GX5.3	400	50	MR16	24	4
DDS	54944	DDS	Projector - Microfilm	80	21	GX5.3		1000	MR16	24	
DED	54726	DED	Projector - Microfilm	85	14	GX5.3	150	1000	MR16	24	4
DEK/DFW	74440	DEK/DFW	Projector	500	120	Trufocus			T12	24	
DNE	54409	DNE	Projector	150	120	GX7.9	100	15	TB16	24	4
DNF	54411	DNF	Projector - 8mm	150	21	GX7.9	300	25	MR18	24	
DVY	54528	DVY	Projector, Stage & Studio	650	120	G5.3	20000	25	T6	12	
DYH	54561	DYH	Projector, Stage & Studio	600	120	G5.3	17000	75	T5	24	
DZE	54755	DZE	Projector, Microfilm, Stage & Studio	150	24	GZ9.5	4000	100	T4	24	
EBV	11558	EBV 118V	Super Photoflood/ No.2	500	118	Med Brass	17800	8	PS25	24	
ECA	13365	ECA 120V	Super Photoflood	250	120	Med Brass	6500	20	A23	24	
ECT	11560	ECT 120V	Photoflood	500	120	Med Brass	13650	60	PS25	24	
EFM	54123	EFM 64607	Projector - 8mm	50	8	GZ6.35		50	MR16	20	
EFN	54126	EFN 64615 HLX	Projector - 8mm	75	12	GZ6.35		50	MR16	20	
EFP	54189	EFP 64627 HLX	Projector - 8mm	100	12	GZ6.35		50	MR16	20	
EFP/X	54192	EFP/X 64629 HLX	Projector - 8mm	100	12	GZ6.35		600	MR16	20	
EFR	54210	EFR 64634 HLX	Projector - 8mm	150	15	GZ6.35		50	MR16	20	
EFR-5/X	54211	EFR-5/X 64620 HLX	Projector - 8mm	150	15	GY6.35		500	MR16	20	
EHA	54585	EHA	Projector, Microfilm, Stage & Studio	500	120	GY9.5		50	T6	24	3