

67 MC 200-508

Pluggable terminal blocks on pin headers, pitch 5.08 mm



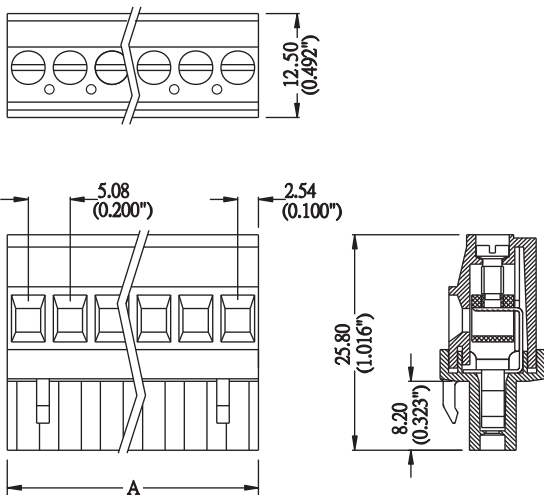
Pluggable screw terminal block, with lift clamp, without protection against misplacing, with locking, cable departure 90° to plugging direction on side of locking, consecutive placement without loss of pitch

---

Approvals:



67 MC 200-508



**Environmental conditions**

Temperature range -40 °C/+105 °C

**Materials**

Insulating body	PA, V-0 according to UL94
Contact spring	CuSn, tin-plated
Clamp	CuZn, nickel-plated
Screw	steel, zinc-plated

**Mechanical data**

Screw size	M2,6
Tightening torque screw	0,5 Nm

**Connectable conductors for screw clamp**

Section	AWG 24-14 (0,25-2,5 mm <sup>2</sup> )
Stripping length	7 mm

**Electrical data (at T<sub>amb</sub> 20 °C)**

Rated current	16 A
Rated voltage	300 V AC
Rated impulse voltage	≥ 2 kV
Insulation resistance	> 5 GΩ

**Associated products**

Counterparts  
 ☞ ME 010-508      ☞ ME 020-508      ☞ ME 030-508  
 ☞ ME 040-508

67 MC 200-508

Designation	Pole Number	PU (Pieces)	MDQ (Pieces)	Dimensions A (mm)
MC 200-508 02	2	500	600	10.16
MC 200-508 04	4	200	600	20.32
MC 200-508 06	6	150	600	30.48

**Packaging:**

in bulk, in a plastic bag