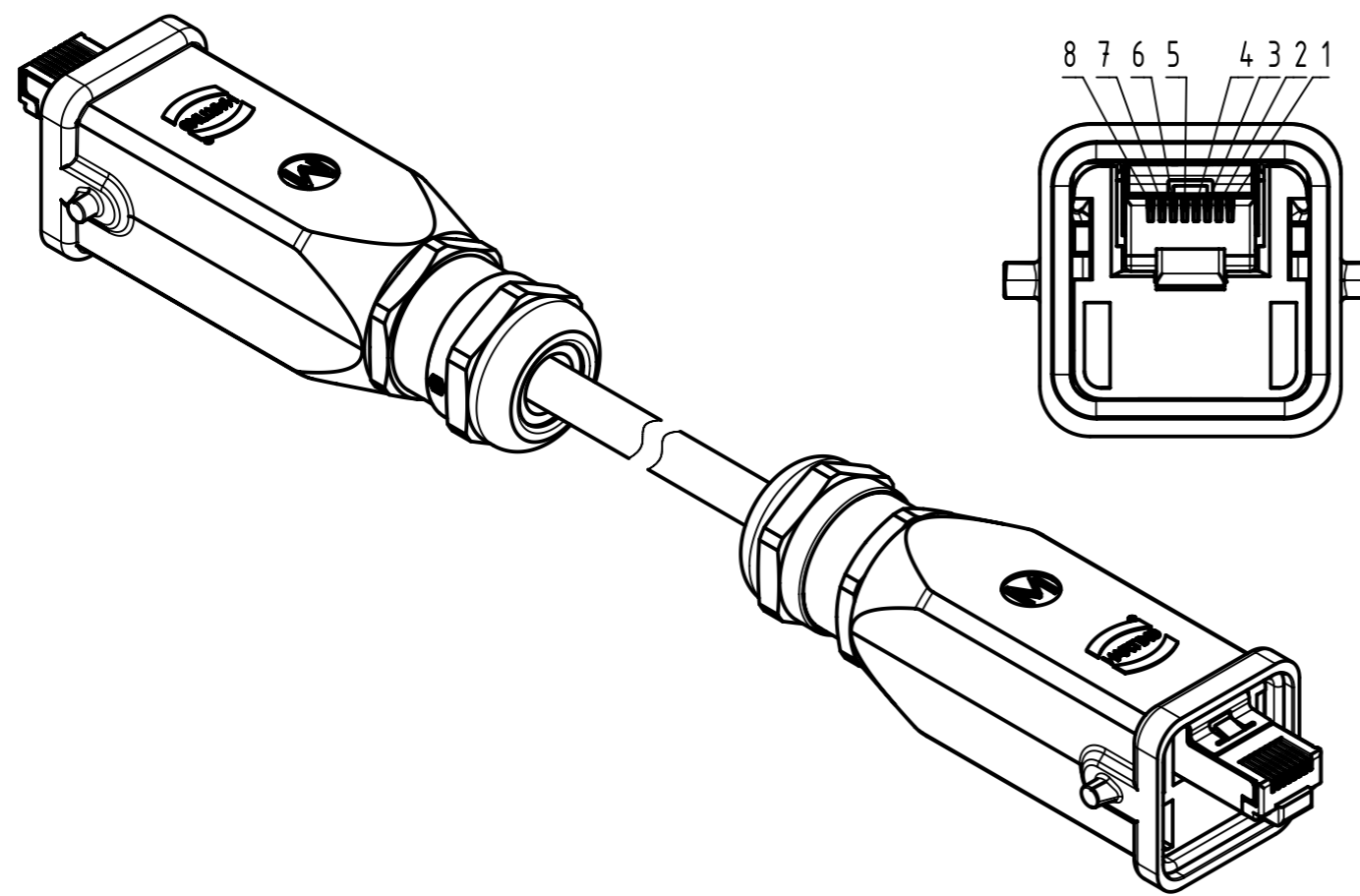
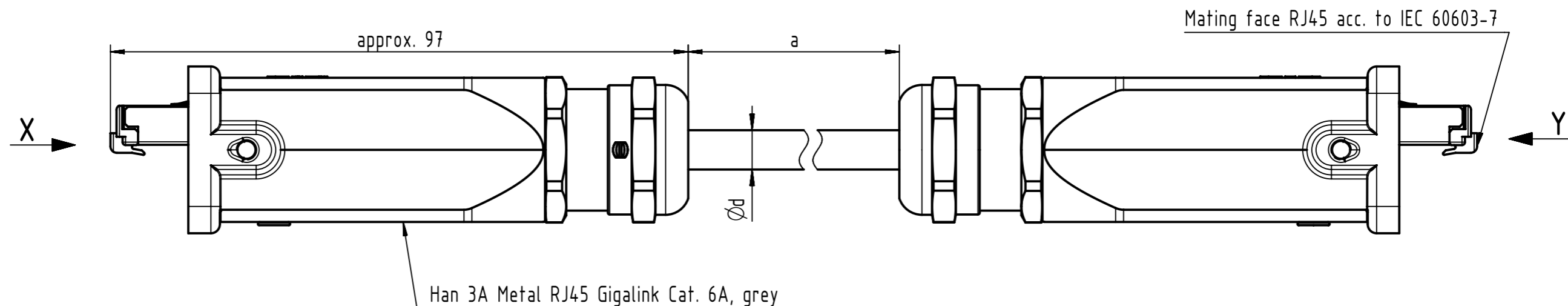
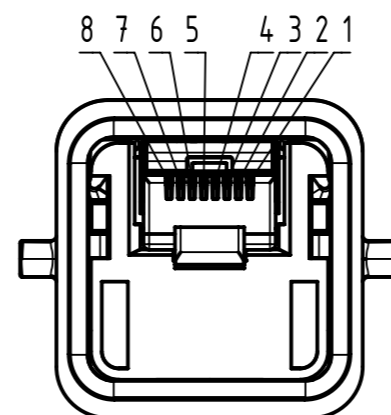


Connector Location A

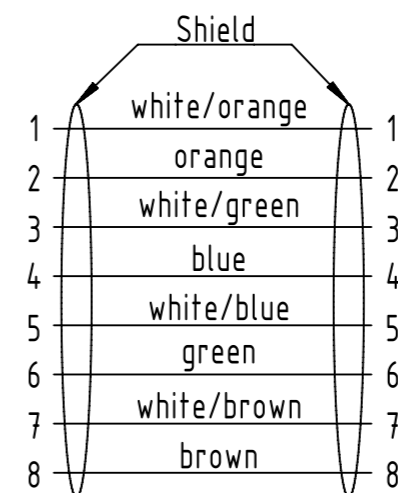
Connector Location B



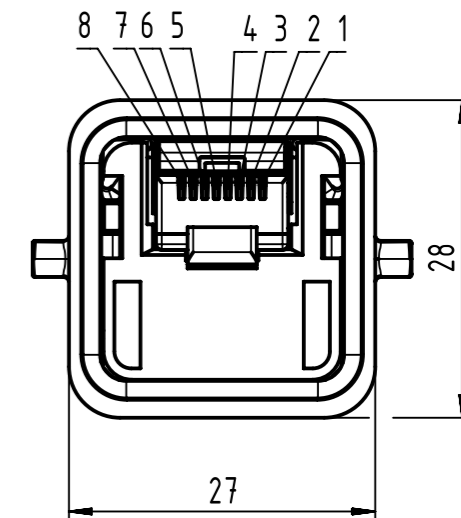
X
male



Loading Plan
acc. to TIA/EIA 568B



Y
male




- Protection level: IP65/67
- Temperature range: see next page

| | | | | | | | |
|---|---------------------|------------------|-------------------------------------|---------------------------------|--|---------------------------------|--|
| All Dimensions in mm | | Tech. Character. | | Free size tol. | | According to production drawing | |
| | All rights reserved | | Created by COSTEA Costea | Inspected by 402676 Gross | Standardisation MUNTEANV Muntean | Date 2020-05-06 | State Final Release |
| | Department HCS - RO | | Title Han 3A RJ45 Cable Assembly | | | | Doc-Key / ECM-Nr. 100155415/UGD/012/K 500000173178 |
| HARTING Customised Solutions D-32339 Espelkamp | | | Type TB | Number 094571515XX | | Rev. K | Page 1/2 |

| Cont. no. | Part no. | Type of cable | Dim. d [mm] | Temp. range | Dim. a[m] |
|-----------|-------------|--|-------------|--|--|
| 36 | 09457151578 | RJ45 Ethernet Stranded Cable, 4x2xAWG 26/7, PUR, Cat. 6A, yellow | Ø6.7 | - Fixed installation: -40°C ... +70°C - Dynamic installation: -40°C ... +70°C | 100* |
| 35 | 09457151577 | | | | 40 |
| 34 | 09457151576 | | | | 30 |
| 33 | 09457151575 | | | | 25 |
| 32 | 09457151574 | | | | 20 |
| 31 | 09457151573 | | | | 15 |
| 30 | 09457151572 | | | | 10 |
| 29 | 09457151571 | | | | 9 |
| 28 | 09457151570 | | | | 8 |
| 27 | 09457151569 | | | | 7 |
| 26 | 09457151568 | | | | 6 |
| 25 | 09457151567 | | | | 5 |
| 24 | 09457151566 | | | | 4 |
| 23 | 09457151565 | | | | 3 |
| 22 | 09457151564 | | | | 2 |
| 21 | 09457151563 | | | | 1.5 |
| 20 | 09457151562 | | | | 1 |
| 19 | 09457151561 | | | | 0.5 |
| 18 | 09457151553 | | | | RJ45 Ethernet Stranded Cable, 4x2xAWG 26/7, PVC, Cat. 6A, yellow |
| 17 | 09457151552 | 15 | | | |
| 16 | 09457151551 | 10 | | | |
| 15 | 09457151532 | 30 | | | |
| 14 | 09457151531 | 9 | | | |
| 13 | 09457151530 | 8 | | | |
| 12 | 09457151529 | 7 | | | |
| 11 | 09457151528 | 6 | | | |
| 10 | 09457151527 | 5 | | | |
| 9 | 09457151535 | 4.4 | | | |
| 8 | 09457151526 | 4 | | | |
| 7 | 09457151534 | 3.4 | | | |
| 6 | 09457151525 | 3 | | | |
| 5 | 09457151533 | 2.2 | | | |
| 4 | 09457151524 | 2 | | | |
| 3 | 09457151523 | 1.5 | | | |
| 2 | 09457151522 | 1 | | | |
| 1 | 09457151521 | 0.5 | | | |

NOTE:
* Ethernet transmission possible for lengths up to 45m

| Cont. no. | Part no. | Type of cable | Dim. d [mm] | Temp. range | Dim. a[m] |
|-----------|-------------|--|-------------|--|-----------|
| 50 | 09457151594 | RJ45 Ethernet Stranded Cable, 4x2xAWG 26/7, PVC, outdoor, Cat. 6A, black | Ø6.6 | - Fixed installation: -20°C ... +70°C - Dynamic installation: -20°C ... +70°C | 20 |
| 49 | 09457151593 | | | | 15 |
| 48 | 09457151592 | | | | 10 |
| 47 | 09457151591 | | | | 9 |
| 46 | 09457151590 | | | | 8 |
| 45 | 09457151589 | | | | 7 |
| 44 | 09457151588 | | | | 6 |
| 43 | 09457151587 | | | | 5 |
| 42 | 09457151586 | | | | 4 |
| 41 | 09457151585 | | | | 3 |
| 40 | 09457151584 | | | | 2 |
| 39 | 09457151583 | | | | 1.5 |
| 38 | 09457151582 | | | | 1 |
| 37 | 09457151581 | | | | 0.5 |

| | | | | | | |
|---|--|-------------------------------------|---------------------------------|--|--------------------|------------------------|
|  | All rights reserved Department HCS - RO | Created by COSTEA Costea | Inspected by 402676 Gross | Standardisation MUNTEANV Muntean | Date 2020-05-06 | State Final Release |
| HARTING Customised Solutions D-32339 Espelkamp | | Title Han 3A RJ45 Cable Assembly | | Doc-Key / ECM-Nr. 100155415/UGD/012/K 500000173178 | | Rev. K Page 2/2 |