



Product Compliance

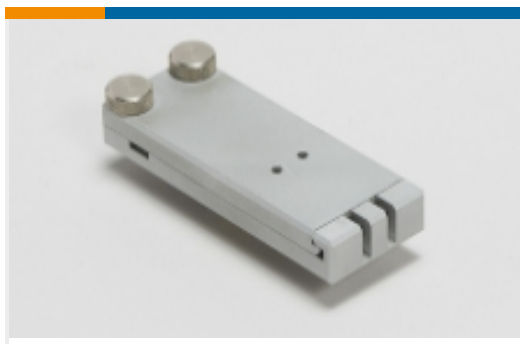
[For compliance documentation, visit the product page on TE.com>](#)

EU RoHS Directive 2011/65/EU	Compliant
EU ELV Directive 2000/53/EC	Not Yet Reviewed
China RoHS 2 Directive MIIT Order No 32, 2016	No Restricted Materials Above Threshold
EU REACH Regulation (EC) No. 1907/2006	Current ECHA Candidate List: JAN 2021 (211) Candidate List Declared Against: JUN 2018 (191) SVHC > Threshold: Not Yet Reviewed
Halogen Content	Low Halogen - Br, Cl, F, I < 900 ppm per homogenous material. Also BFR/CFR/PVC Free
Solder Process Capability	Reflow solder capable to 245°C

Product Compliance Disclaimer

This information is provided based on reasonable inquiry of our suppliers and represents our current actual knowledge based on the information they provided. This information is subject to change. The part numbers that TE has identified as EU RoHS compliant have a maximum concentration of 0.1% by weight in homogenous materials for lead, hexavalent chromium, mercury, PBB, PBDE, DBP, BBP, DEHP, DIBP, and 0.01% for cadmium, or qualify for an exemption to these limits as defined in the Annexes of Directive 2011/65/EU (RoHS2). Finished electrical and electronic equipment products will be CE marked as required by Directive 2011/65/EU. Components may not be CE marked. Additionally, the part numbers that TE has identified as EU ELV compliant have a maximum concentration of 0.1% by weight in homogenous materials for lead, hexavalent chromium, and mercury, and 0.01% for cadmium, or qualify for an exemption to these limits as defined in the Annexes of Directive 2000/53/EC (ELV). Regarding the REACH Regulations, TE's information on SVHC in articles for this part number is still based on the European Chemical Agency (ECHA) 'Guidance on requirements for substances in articles' (Version: 2, April 2011), applying the 0.1% weight on weight concentration threshold at the finished product level. TE is aware of the European Court of Justice ruling of September 10th, 2015 also known as O5A (Once An Article Always An Article) stating that, in case of 'complex object', the threshold for a SVHC must be applied to both the product as a whole and simultaneously to each of the articles forming part of its composition. TE has evaluated this ruling based on the new ECHA "Guidance on requirements for substances in articles" (June 2017, version 4.0) and will be updating its statements accordingly.

Also in the Series | [Macro Sensors PR](#)



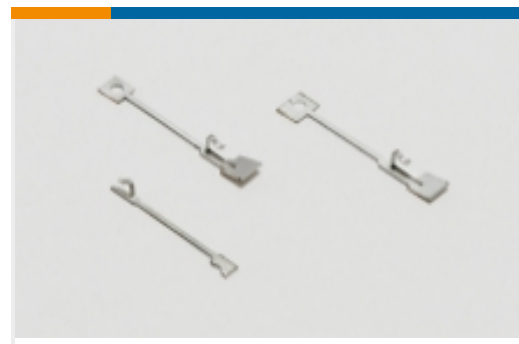
Curing Blocks, Ovens & Sleeves(1)



Expanded Beam Fiber Housings(5)



Expanded Beam Fiber Optics(24)



Leadframes(6)



Linear Position Sensors - LVDT/LVIT(18)



Pre-Printed Markers(1)

Customers Also Bought



TE Part #1-5746443-1
AMP-LATCH UNIVERSAL HEADERS



TE Part #1445297-4
REC.R/A SMT,12 POS



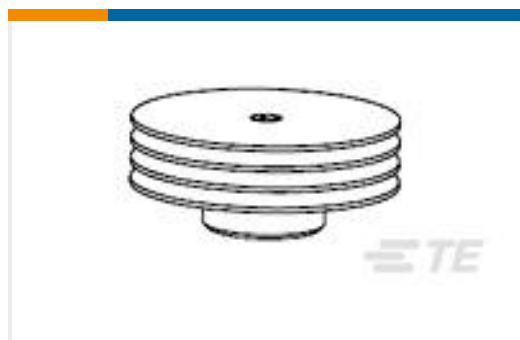
TE Part #1-532956-8
120 MODII 2PC CE RCPT ASSY



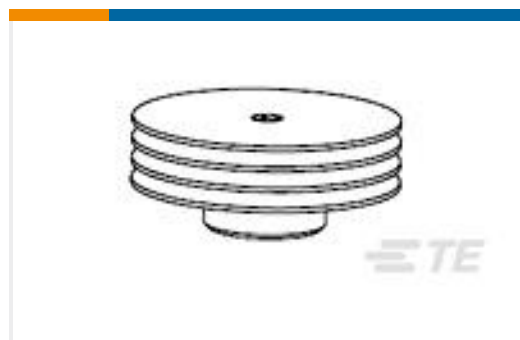
TE Part #1-1744524-0
EP 10P HEADER ASY NO 8 PIN



TE Part #1-2170704-0
CAGE ASSY, QSFP28 1X1, SPRING, HS



TE Part #2-1542006-1
HTS512-U=HS 32.5 ASSY ULTEM CL



TE Part #2-1542006-3
HTS186-U=HS 21MM ASSY ULTEM CL



TE Part #2143329-1
1x6 QSFP Cage Assy Behind Bzl



TE Part #2149745-1
SFP+ 1x4 Cage Assy, Extended Heatsink



TE Part #5338048-4
4P. DIP SWITCH WITH ACTION PIN POSTS

Documents



CAD Files

3D PDF

3D

Customer View Model

[ENG_CVM_CVM_6565691-1_A1.2d_dxf.zip](#)

English

Customer View Model

[ENG_CVM_CVM_6565691-1_A1.3d_igs.zip](#)

English

Customer View Model

[ENG_CVM_CVM_6565691-1_A1.3d_stp.zip](#)

English

By downloading the CAD file I accept and agree to the [Terms and Conditions](#) of use.

Product Specifications

Product Specification

English