



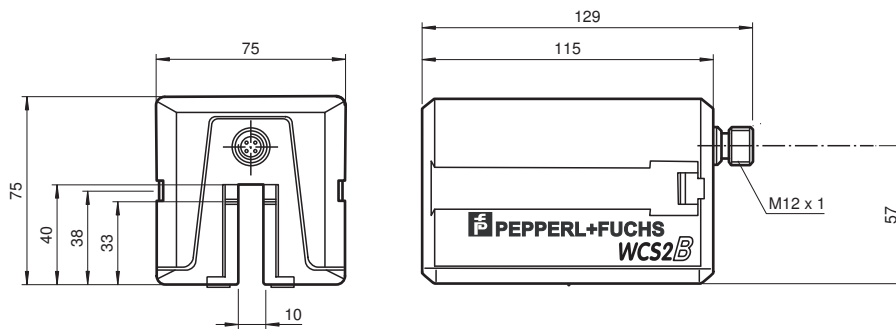
Read head WCS2B-LS211H

- RS-485 interface
- Non-contact, absolute position encoder
- Automatic detection of dirt accumulation
- Extended temperature range

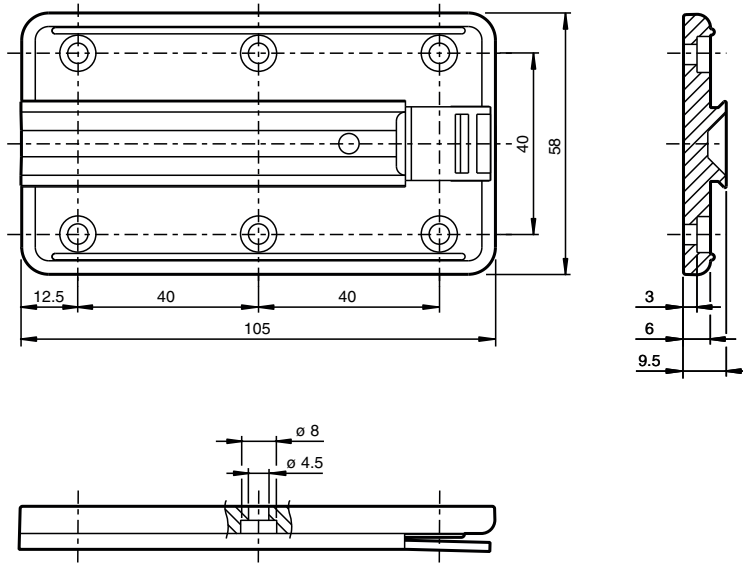
Read head, RS-485 interface, with RS-485 termination resistor



Dimensions



Dimensions



Technical Data

General specifications			
Passage speed	v	≤ 12.5 m/s	
Measuring range		max. 327 m	
Free tolerances to code rail		horizontal: 10 mm (± 5 mm) vertical: 10 mm (± 5 mm)	
Resolution		± 0.42 mm (1,200 positions/m)	
Functional safety related parameters			
MTTF _d		66 a	
Mission Time (T _M)		10 a	
Diagnostic Coverage (DC)		0 %	
Electrical specifications			
Operating voltage	U _B	10 ... 30 V DC	
Power consumption	P ₀	9 VA at 24 V DC	
Interface			
Interface type		RS 485 interface	
Data output code		binary code	
Protocol		1 , 2	
Transfer rate		187.5 kBit/s	
Termination		with RS 485 termination	
Standard conformity			
Emitted interference		DIN EN 61000-6-4	
Noise immunity		DIN EN 61000-6-2	
Shock resistance		DIN EN 60068-2-27, half sine 30 g, 18 ms	
Vibration resistance		DIN EN 60068-2-6, sine, 5 g, 10 - 2000 Hz, 10 cycles	
Approvals and certificates			
CSA approval		cCSAus Certified, General Purpose Class 2 power source	
CCC approval		CCC approval / marking not required for products rated ≤36 V	
Ambient conditions			
Operating temperature		-40 ... 60 °C (-40 ... 140 °F)	

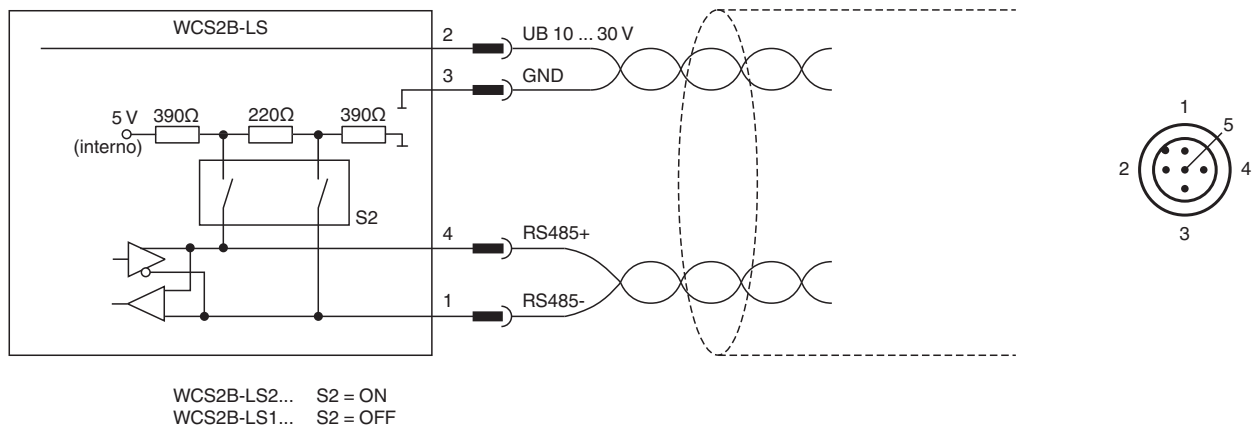
Release date: 2022-03-10 Date of issue: 2022-03-10 Filename: 200779-0007_eng.pdf

Refer to "General Notes Relating to Pepperl+Fuchs Product Information".

Technical Data

Storage temperature	-40 ... 85 °C (-40 ... 185 °F)
Relative humidity	90 % , noncondensing
Mechanical specifications	
Connection type	5-pin, M12 x 1 connector
Degree of protection	IP54
Material	
Housing	ABS , Polycarbonate , Polyamide (PA)
Mass	500 g
General information	
Ordering information	Mounting plate included with delivery

Connection



Accessories

	WCS-MP1	Mounting plate for reading heads WCS2 and WCS3
	WCS2-PL2	Transparent protective case and seal for WCS2 reader

Release date: 2022-03-10 Date of issue: 2022-03-10 Filename: 200779-0007_eng.pdf