

TECHNICAL SPECIFICATIONS

D-Sub Hood:

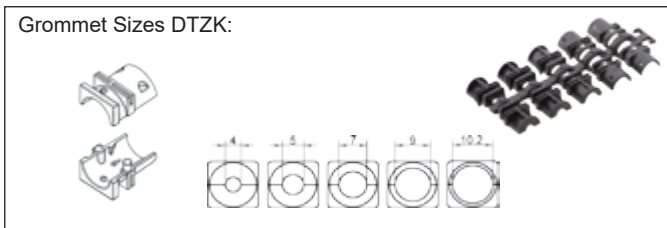
Material: Zinc, Nickel Plated
 Operating Temperature: -40°C to +120°C
 Cable Entry: Side Entry
 Thumbscrews: UNC 4-40 (Standard)
 Cable O.D: Up to 11,5mm

High Density D-Sub Solder Cup:

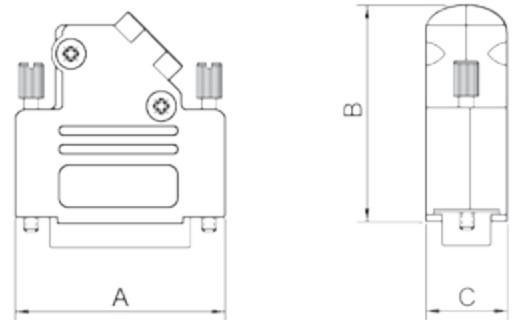
Insulator: Glass filled TP, UL94 V-0
 Shell: Steel, Tin Plated
 Contact pins: Copper Alloy
 Gold Flash over Ni.
 Stamped & Formed Pins: Class 3, 100 inserts min.
 Contact Plating: Gold flash over Nickel
 Operating Temperature: -55°C to +85°C
 Withstanding voltage: >1000V Rms to 50 Hz for 1 minute
 Current Rating: 3A
 Insulator resistance: >5000MΩ min.

Features:

- Available in sizes HD15-26-44-62
- 360° EMI Shielding
- Re-openable



...with Connectors from:
Amphenol



Size D45ZK	Dim A	Dim B	Dim C
9-way	31,0	36,3	14,5
15-way	39,5	40,3	14,5
25-way	53,2	40,3	14,5
37-way	69,7	40,3	14,5

Ordering information:

High Density D-Sub Connector Kits

Size:	P/N - Kitted:	Product Code - MALE Conn. Kit
HD 15	6355-5026-01	D45ZK09+L717HDE15P
HD 26	6355-5026-02	D45ZK15+L717HDA26P
HD 44	6355-5026-03	D45ZK25+L717HDB44P
HD 62	6355-5026-04	D45ZK37+L717HDC62P

Size:	P/N - Kitted:	Product Code - FEMALE Conn. Kit
HD 15	6355-5026-11	D45ZK09+L77HDE15S
HD 26	6355-5026-12	D45ZK15+L77HDA26S
HD 44	6355-5026-13	D45ZK25+L77HDB44S
HD 62	6355-5026-14	D45ZK37+L77HDC62S



Encitech AB
 Rörkullsvägen 4
 SE-302 41 HALMSTAD, Sweden

Tel.: +46-(0)35-15 13 90
 Fax: +46-(0)35-15 13 99

www.encitech.com