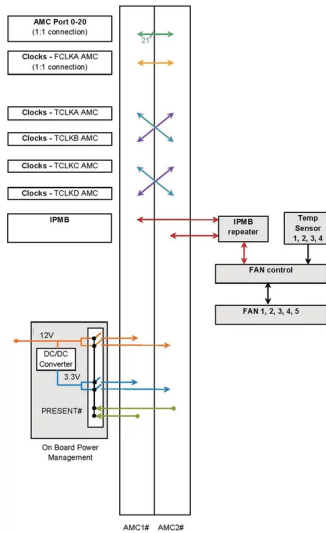


11850-023 MTCA.0 SYSTEM FOR 2 SINGLE FULL-SIZE AMC MODULES, 1 HE



KEY FEATURES

Small, compact case to hold 2 single full-size AdvancedMC modules With an optional 2 HP filler module, 2 single mid-size modules can also be fitted

Direct connection of all ports between both AdvancedMC slots (see backplane topology); data transfer rates up to 10 Gbps per port

90 - 264 VAC wide range input on rear of case, 150 W power supply in rear section of enclosure

12 VDC voltage is activated by the AdvancedMC module presence signal

150 W cooling capacity at an ambient temperature of 55 °C, airflow from right to left, temperature-regulated fans

Fan unit and fan filter are easy to service or replace

The enclosure is stackable and prepared for plate mounting

PRODUCT ATTRIBUTES

Product Type: System

Number of Slots: 2

Type: Pico System

Backplane Type: All Ports Point to Point Connected

Data Transfer: 40 GbE; PCIe Gen3

Power per Slot: 60 W

Input Voltage AC: 100 – 240 V

Airflow Direction: Right to Left

Rack Height: 1 U

Power Supply Type: Open Frame

Power Supply Included: Yes

Rear I/O: No

Complies With: PICMG MTCA.0 R2.0

Depth: 302 mm

ADDITIONAL PRODUCT DETAILS

The System is designed for 2 AMC modules. The integrated Power Supply and Power switches on the backplane enable the Payload Power to the AMC Modules without the need for a separate MCH.

Modified systems available on request.

Completely assembled, wired and tested.

CERTIFICATIONS



North America

All locations

+1.763.422.2661

Chat with us:

schroff.nvent.com

Europe

Straubenhardt, Germany

+49.7082.794.0

Betschdorf, France

+33.3.88.90.64.90

Warsaw, Poland

+48.22.209.98.35

Assago, Italy

+39.02.932.7141

Chat with us:

schroff.nvent.com

Asia

Shanghai, China

+86.21.2412.6943

Qingdao, China

+86.532.8771.6101

Singapore

+65.6768.5800

Shin-Yokohama, Japan

+81.45.476.0271

Chat with us:

schroff.nvent.com

Middle East & India

Dubai, United Arab Emirates

+971.4.378.1700

Bangalore, India

+91.80.6715.2001

Istanbul, Turkey

+90.216.250.7374

Chat with us:

schroff.nvent.com



Our powerful portfolio of brands:
nVent.com **CADDY ERICO HOFFMAN RAYCHEM SCHROFF TRACER**

© 2023 nVent. All nVent marks and logos are owned or licensed by nVent Services GmbH or its affiliates. All other trademarks are the property of their respective owners.

nVent reserves the right to change specifications without notice.