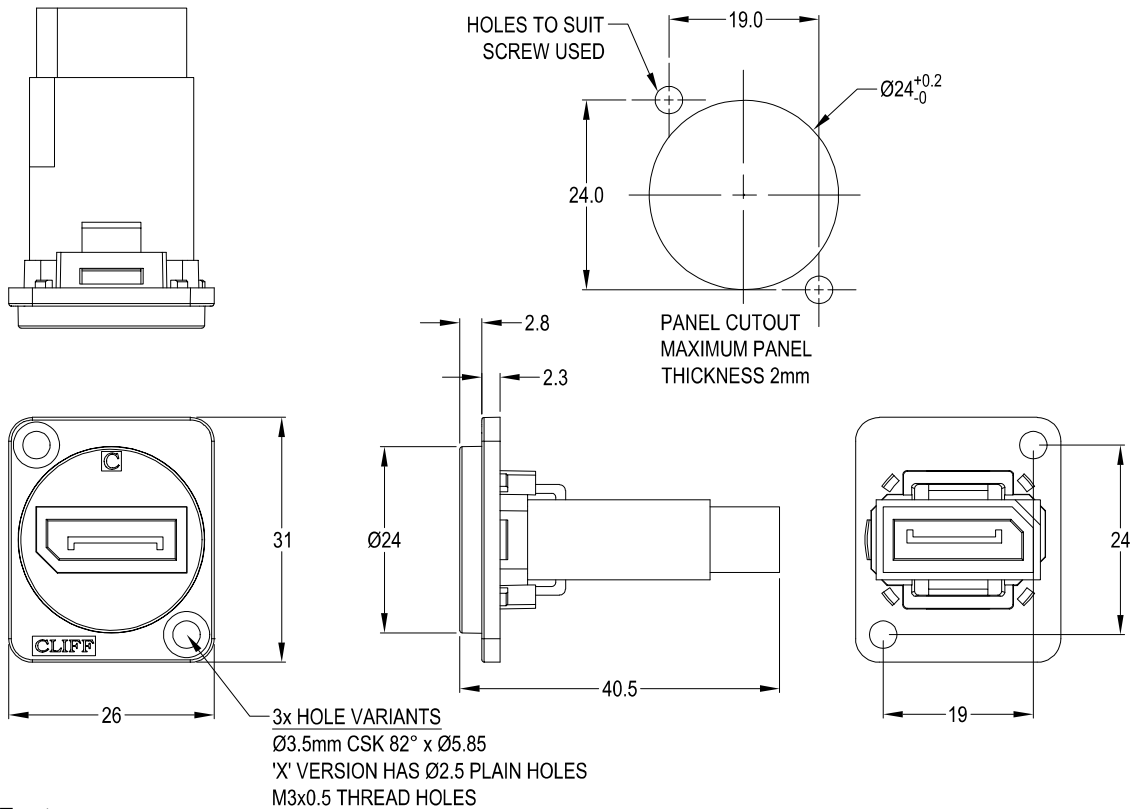


# CLIFF

## DISPLAYPORT F-F FEEDTHROUGH CONNECTOR



### Feedthrough Features

- Fits standard XLR Ø24mm cutout.
- No soldering or punch termination. Use standard cable for each connector style.
- Front or rear mounted.
- Low rear profile

### General:

Please note: Functionality is affected by cable quality, length and cable wiring configuration.

Other models available:

### Part No.

<b>CP30233</b>	Displayport F-F Black plastic frame, CSK holes
<b>CP30233M</b>	Displayport F-F Nickel plated metal frame, CSK holes
<b>CP30233M3</b>	Displayport F-F Nickel plated metal frame, M3 holes
<b>CP30233MB</b>	Displayport F-F Black metal frame, CSK holes
<b>CP30233M3B</b>	Displayport F-F Black metal frame, M3 holes
<b>CP30233X</b>	Displayport F-F Black plastic frame, PLAIN holes

DisplayPort V2.0

### Materials:

1. DP Overmould Centre: ABS UL94 V-0 Black
2. DP Overmould Ends: PBT UL94 V-0 Black
3. DP Connector: LCP UL94 V-0 Black
4. DP Shell: Iron Nickel plated
5. DP Contacts: Copper Gold plated
6. FT Plastic frame: ABS UL94 V-0 Black
7. FT Metal frame: Zinc Diecast, Nickel or black plated