

ALN 234018



Sample image

Order symbol : ALN 234018

Product nr : 7811410

UL Code : 7811412

UL Name : ALN UL 234018

Description : Enclosure, aluminium

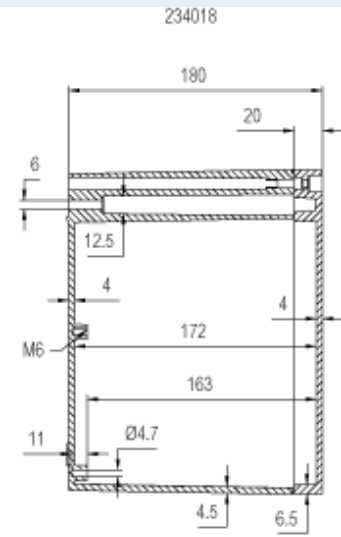
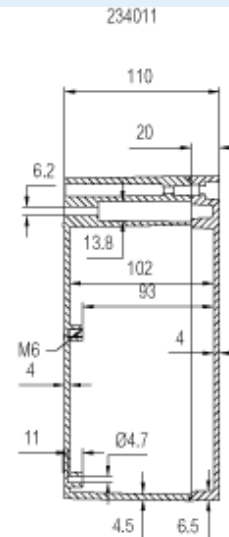
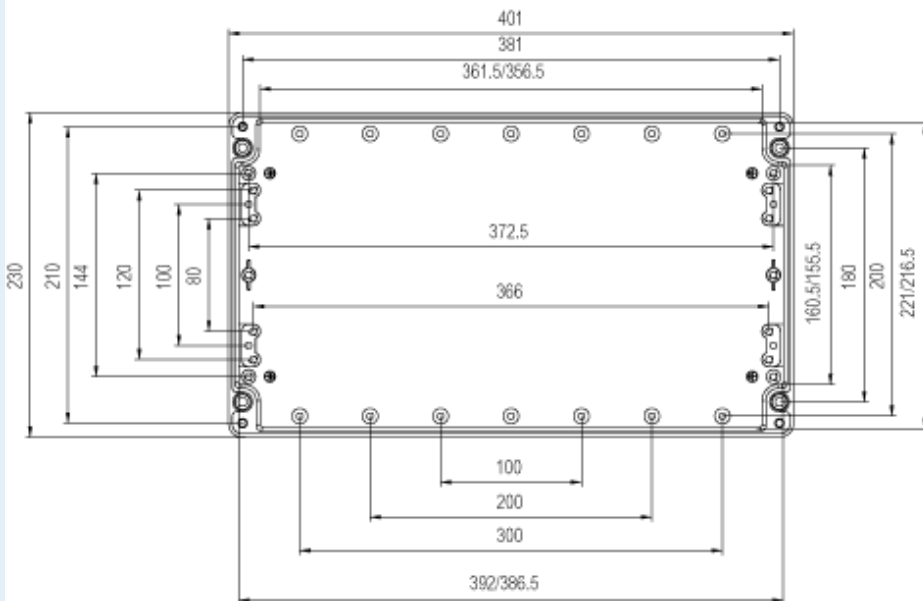
Remarks : Aluminium

Including : Base with screws for mounting plate/DIN-rail. cover with PUR gasket and stainless steel cover screws.

EAN : 6418074016225

El. number :

- Finland : 3420002
- Denmark : 8212045813
- Sweden : 2500926



Dimensions :

	Height	Width	Depth
mm :	230	401	180
inch :	9.06	15.79	7.09

Accessories :

ARH 40 DIN-35 Mounting rail, for enclosures:
(383 x 35 x 1)

Materials :

Material :	Aluminum
Base colour :	RAL 7001
Cover colour :	RAL 7001
Gasket material :	Polyurethane

Temperatures :

Temperature °C (short term) :	-50 ... 120
Temperature °C (continuous) :	-50 ... 80
Temperature °F (short term) :	-60 ... 285
Temperature °F (continuous) :	-60 ... 175

AM 2340	Mounting plate, for enclosures: (215 x 385 x 2)
MRS 28541	Wall fastening lug (2 pcs), for enclosures: (15 x 50 x 1)

Rating :

Ingress protection (EN 60529):	IP66; IP67; IP68;
Impact Resistance (EN 62262):	IK08;
Electrical insulation :	Not insulated
Halogen free (DIN/VDE 0472, Part 815):	1
UV resistance :	-
Flammability Rating :	
Glow Wire Test (IEC 695-2-1) °C :	C
NEMA Class	

Certificates :

SGSFIMKO_ALU