

- 1
- 2
- 3
- 4
- 5
- 6
- 7
- 8
- 9
- 10
- 11
- 12
- 13
- 14
- 15
- 16
- 17
- 18

**MATERIAL**

Aluminium.

**CLAMPING AND GRUB SCREWS**

AISI 304 stainless steel with hexagon socket.

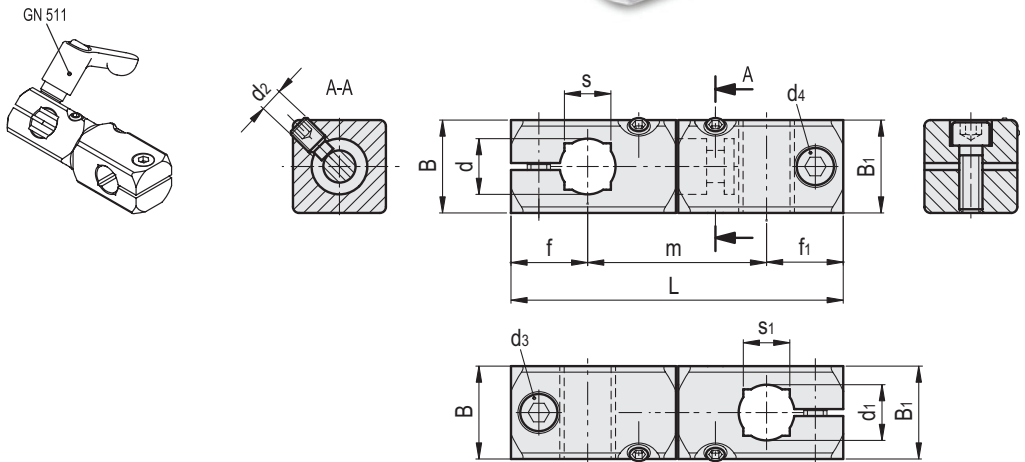
**STANDARD EXECUTIONS**

- **MSM-G-ANB**: anodised aluminium, black colour.
- **MSM-G-MT**: natural aluminium, matte finish.

**KEY TO TABLE DIMENSIONS**

d, d1 = holes diameters for shaft tolerance h11.

d3, d4 = clamping screws which can be replaced with clamping kit type GN 511 (see page 924).



**MSM-G-ANB**

Code	Description	d	d1	d2	d3	d4	L	B	B1	f	f1	m	s	s1	d3 Clamping kit	d4 Clamping kit	⚖️
500201	MSM-G-8-8-ANB	8	8	M4	M4	M4	52.5	16	16	13	13	26.5	-	-	GN 511-M4-16	GN 511-M4-16	34
500204	MSM-G-10-8-ANB	10	8	M4	M5	M4	58	20	16	15.5	13	29.5	8	-	GN 511-M5-20	GN 511-M4-16	40
500205	MSM-G-10-10-ANB	10	10	M5	M5	M5	63.5	20	20	15.5	15.5	32.5	8	8	GN 511-M5-20	GN 511-M5-20	65
500208	MSM-G-12-8-ANB	12	8	M4	M5	M4	62	20	16	16.5	13	32.5	10	-	GN 511-M5-20	GN 511-M4-16	54
500209	MSM-G-12-12-ANB	12	12	M5	M5	M5	71.5	20	20	16.5	16.5	38.5	10	10	GN 511-M5-20	GN 511-M5-20	73
500226	MSM-G-15-10-ANB	15	10	M4	M6	M5	75.5	25	16	20	15.5	40	12	8	GN 511-M6-25	GN 511-M5-20	105
500212	MSM-G-15-12-ANB	15	12	M5	M6	M5	79.5	25	20	20	16.5	43	12	10	GN 511-M6-25	GN 511-M5-20	109
500213	MSM-G-15-15-ANB	15	15	M6	M6	M6	87.5	25	25	20	20	47.5	12	12	GN 511-M6-25	GN 511-M6-25	143
500216	MSM-G-16-12-ANB	16	12	M5	M6	M5	81	25	20	20	16.5	44.5	-	10	GN 511-M6-25	GN 511-M5-20	120
500217	MSM-G-16-16-ANB	16	16	M6	M6	M6	90.5	25	25	20	20	50.5	-	-	GN 511-M6-25	GN 511-M6-25	139
500220	MSM-G-20-15-ANB	20	15	M6	M6	M6	95	30	25	22	20	53	16	12	GN 511-M6-30	GN 511-M6-25	165
500221	MSM-G-20-16-ANB	20	16	M6	M6	M6	96.5	30	25	22	20	54.5	16	-	GN 511-M6-30	GN 511-M6-25	197
500222	MSM-G-20-20-ANB	20	20	M6	M6	M6	102.5	30	30	22	22	58.5	16	16	GN 511-M6-30	GN 511-M6-30	243

**MSM-G-MT**

Code	Description	d	d1	d2	d3	d4	L	B	B1	f	f1	m	s	s1	d3 Clamping kit	d4 Clamping kit	⚖️
500203	MSM-G-8-8-MT	8	8	M4	M4	M4	52.5	16	16	13	13	26.5	-	-	GN 511-M4-16	GN 511-M4-16	34
500206	MSM-G-10-8-MT	10	8	M4	M5	M4	58	20	16	15.5	13	29.5	8	-	GN 511-M5-20	GN 511-M4-16	40
500207	MSM-G-10-10-MT	10	10	M5	M5	M5	63.5	20	20	15.5	15.5	32.5	8	8	GN 511-M5-20	GN 511-M5-20	65
500210	MSM-G-12-8-MT	12	8	M4	M5	M4	62	20	16	16.5	13	32.5	10	-	GN 511-M5-20	GN 511-M4-16	73
500211	MSM-G-12-12-MT	12	12	M5	M5	M5	71.5	20	20	16.5	16.5	38.5	10	10	GN 511-M5-20	GN 511-M5-20	73
500227	MSM-G-15-10-MT	15	10	M4	M6	M5	75.5	25	16	20	15.5	40	12	8	GN 511-M6-25	GN 511-M5-20	105
500214	MSM-G-15-12-MT	15	12	M5	M6	M5	79.5	25	20	20	16.5	43	12	10	GN 511-M6-25	GN 511-M5-20	109
500215	MSM-G-15-15-MT	15	15	M6	M6	M6	87.5	25	25	20	20	47.5	12	12	GN 511-M6-25	GN 511-M6-25	143
500218	MSM-G-16-12-MT	16	12	M5	M6	M5	81	25	20	20	16.5	44.5	-	10	GN 511-M6-25	GN 511-M5-20	130
500219	MSM-G-16-16-MT	16	16	M6	M6	M6	90.5	25	25	20	20	50.5	-	-	GN 511-M5-25	GN 511-M6-25	139
500223	MSM-G-20-15-MT	20	15	M6	M6	M6	95	30	25	22	20	53	16	12	GN 511-M6-30	GN 511-M6-25	193
500224	MSM-G-20-16-MT	20	16	M6	M6	M6	96.2	30	25	22	20	54.5	16	-	GN 511-M6-30	GN 511-M6-25	196
500225	MSM-G-20-20-MT	20	20	M6	M6	M6	102.5	30	30	22	22	58.5	16	16	GN 511-M6-30	GN 511-M6-30	242

Levelling feet and supports