

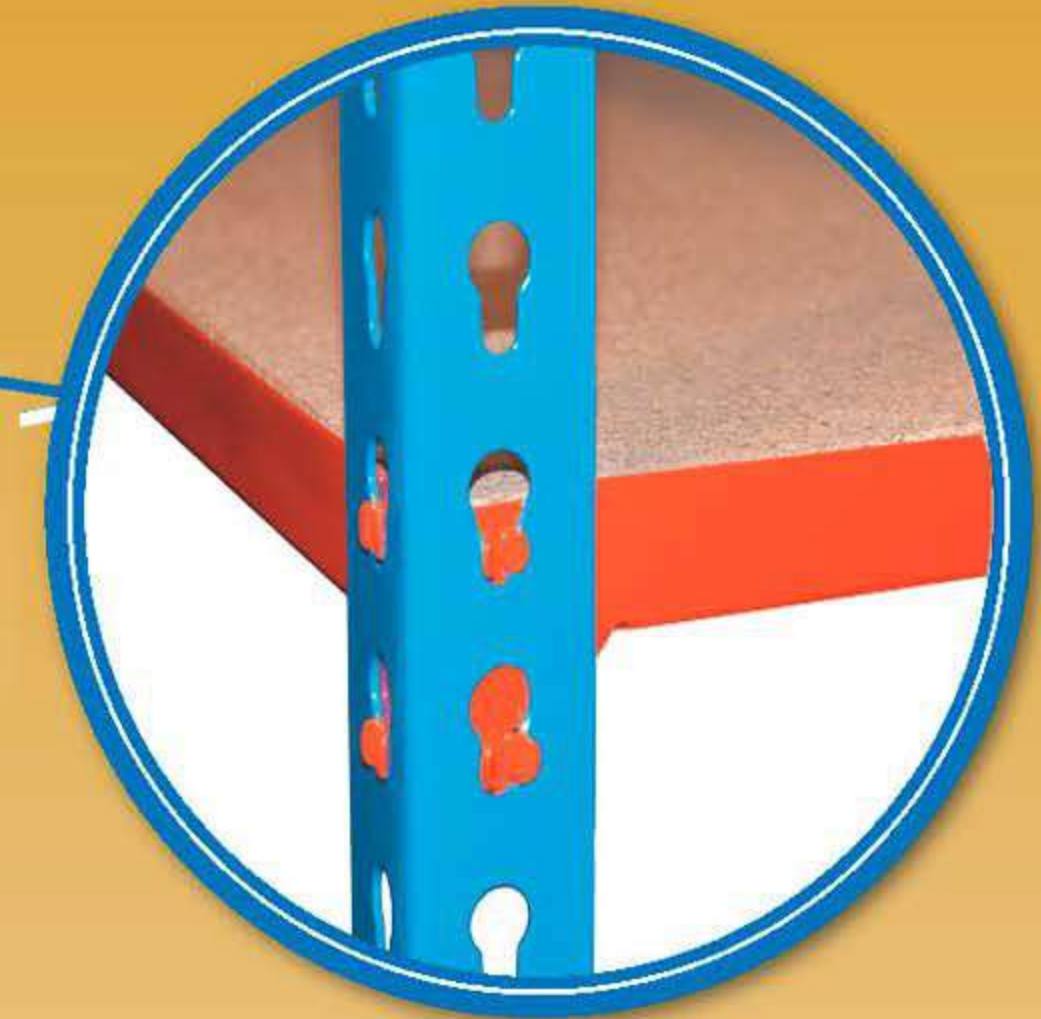
157.5 X 110 X 40 CM

62" X 43.3" X 15.8"

MADERCLICK SUPERPLUS 4/400

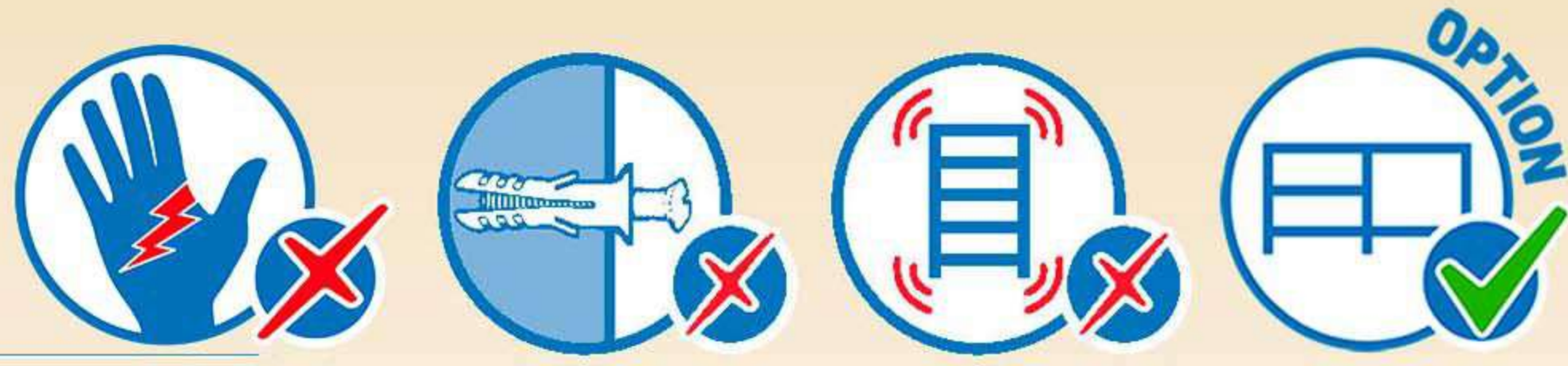
MOBILE

5 Años Garantía
Years Guarantee
Jahre Garantie
Ans Garantie
SIMONRACK



Carga uniformemente repartida
Evenly distributed load
Gleichmäßig verteilte Last
Charge uniformément répartie
Carga uniformemente distribuida

*MEDIDAS EN USO USED MEASUREMENTS
MASSNAHMEN IM EINSATZ MESURES EN EMPLOI MEDIDAS EM USO:
1560 x 1110 x 410 mm (61.4" x 43.7" x 16.1")



ESTANTERIAS SIMON S.L. B.50.556.463
PG. ALFAMEN C/ POLIGONO C, N°3
ALFAMEN (ZARAGOZA)



www.simonrack.com

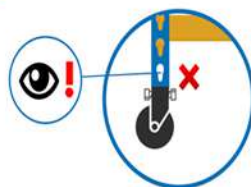
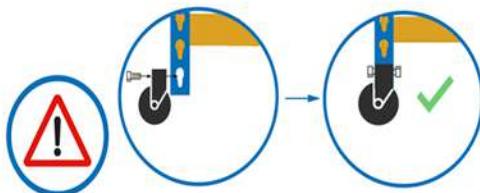
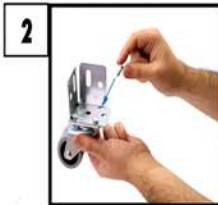
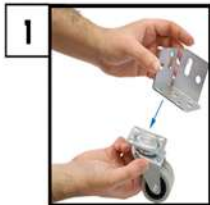
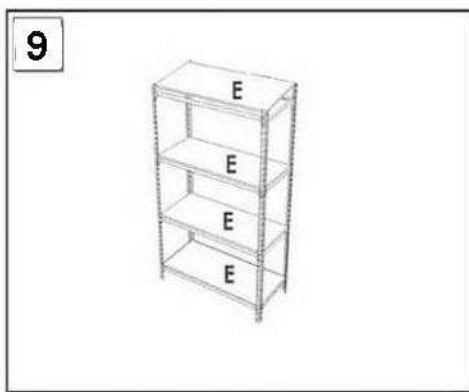
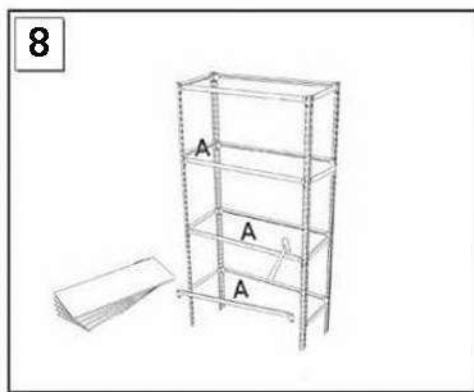
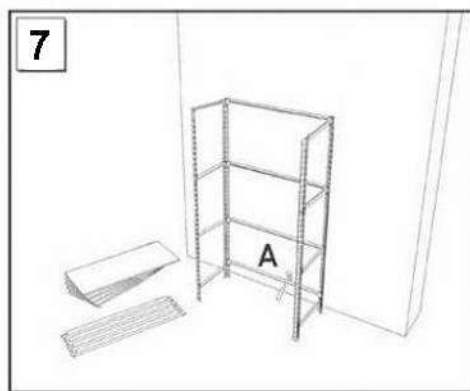
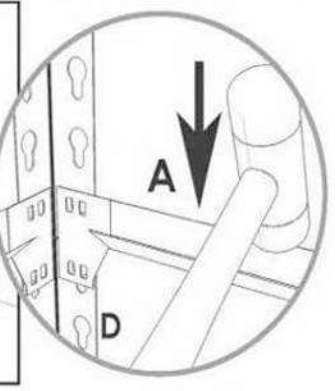
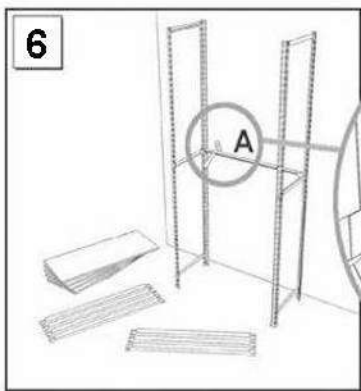
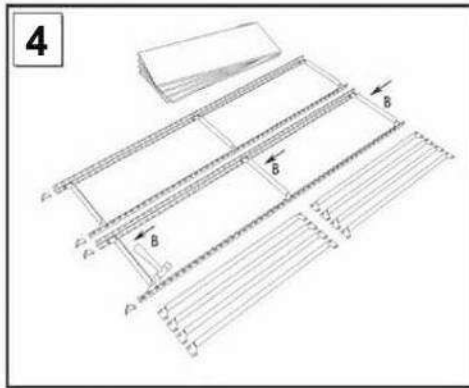
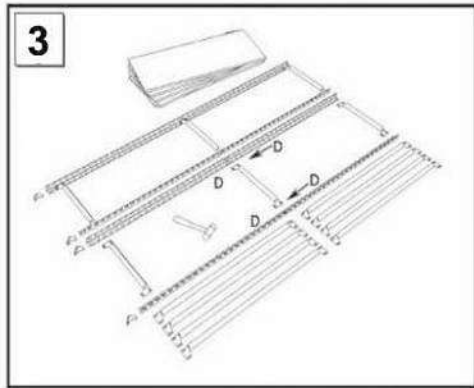
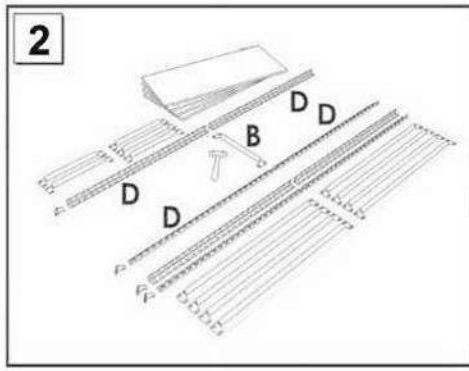
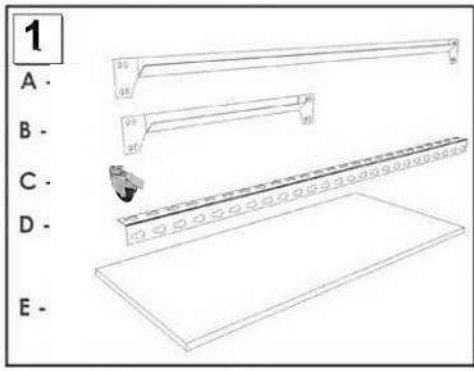


Simon Rack
SINCE 1964 - MANUFACTURER



INSTRUCTIONS

Standard Mounting



Colocar larguero en el primer agujero disponible
 First beam in the hole immediately above the wheel
 Erstes Quertraverse im Loch direkt über dem Rad
 Premier montant dans le trou juste au-dessus de la roue
 Primeira travessa no orifício logo acima da roda

www.simonrack.com • www.simonrack.com • www.simonrack.com • www.simonrack.com • www.simonrack.com • www.simonrack.com • www.simonrack.com • www.simonrack.com • www.simonrack.com • www.simonrack.com

SIMONCLASSIC



SIMONCLICK



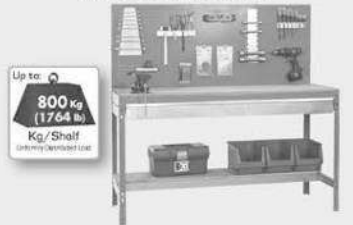
SIMONOFFICE



SIMONTALLER



**BANCOS DE TRABAJO
 WORK BENCHES**



SIMONHOME



**TAGUILLAS
 LOCKER**



SIMONTITÁN



SIMONINOX



SIMONPALET



SIMONLEVER



**ALTILLOS Y PASILLOS ELEVADOS
 PLATFORMS AND MEZZANINES**

