

Order code	Manufacturer code	Description
11-3123	HJ2D227M22020HA	220UF 200V 85C HJ SERIES SNAP IN CAP RC
11-3124	HJ2D337M25020HA	330UF 200V 85C HJ SERIES SNAP IN CAP RC
11-3125	HJ2D477M30020HA	470UF 200V 85C HJ SERIES SNAP IN CAP RC
11-3126	HJ2D687M30025HA	680UF 200V 85C HJ SERIES SNAP IN CAP RC
11-3127	HJ2D108M35030HA	1000UF 200V 85C HJ SERIES SNAP IN CAP RC
11-3128	HJ2D158M35035HA	1500UF 200V 85C HJ SERIES SNAP IN CAP RC
11-3129	HJ2D228M35045HA	2200UF 200V 85C HJ SERIES SNAP IN CAP RC
11-3130	HJ2E157M22020HA	150UF 250V 85C HJ SERIES SNAP IN CAP RC
11-3131	HJ2E227M25020HA	220UF 250V 85C HJ SERIES SNAP IN CAP RC
11-3132	HJ2E337M30020HA	330UF 250V 85C HJ SERIES SNAP IN CAP RC
11-3133	HJ2E477M35020HA	470UF 250V 85C HJ SERIES SNAP IN CAP RC
11-3134	HJ2E108M35035HA	1000UF 250V 85C HJ SERIES SNAP IN CAP RC
11-3135	HJ2E158M35040HA	1500UF 250V 85C HJ SERIES SNAP IN CAP RC
11-3136	HJ2G686M22020HA	68UF 400V 85C HJ SERIES SNAP IN CAP RC
11-3137	HJ2G107M25020HA	100UF 400V 85C HJ SERIES SNAP IN CAP RC
11-3138	HJ2G157M30020HA	150UF 400V 85C HJ SERIES SNAP IN CAP RC
11-3139	HJ2G227M35020HA	220UF 400V 85C HJ SERIES SNAP IN CAP RC
11-3140	HJ2G337M35025HA	330UF 400V 85C HJ SERIES SNAP IN CAP RC
11-3141	HJ2G477M35030HA	470UF 400V 85C HJ SERIES SNAP IN CAP RC
11-3142	HJ2G567M35035HA	560UF 400V 85C HJ SERIES SNAP IN CAP RC
11-3143	HJ2W686M22020HA	68UF 450V 85C HJ SERIES SNAP IN CAP RC
11-3144	HJ2W107M22025HA	100UF 450V 85C HJ SERIES SNAP IN CAP RC
11-3145	HJ2W157M35020HA	150UF 450V 85C HJ SERIES SNAP IN CAP RC
11-3146	HJ2W227M30025HA	220UF 450V 85C HJ SERIES SNAP IN CAP RC
11-3147	HJ2W337M35030HA	330UF 450V 85C HJ SERIES SNAP IN CAP RC
11-3148	HJ2W477M35035HA	470UF 450V 85C HJ SERIES SNAP IN CAP RC

	Page 1 of 3
The enclosed information is believed to be correct, Information may change without notice due to product improvement. Users should ensure that the product is suitable for their use. E. & O. E.	Revision A 20/02/2007

HJ Snap-in Terminal Type, Miniaturized Series



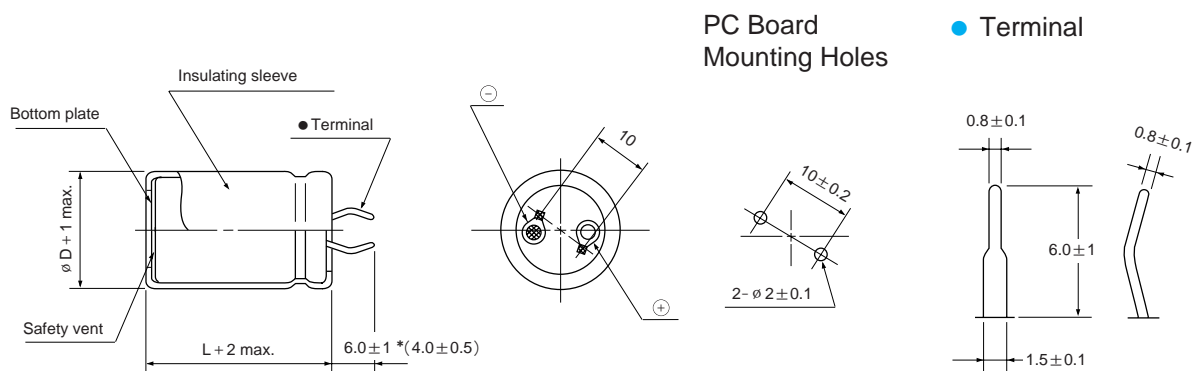
- Smaller case sizes than HC series
- High CV series
- Load life of 3000 hours at 85°C
- Voltage range of 160 ~ 450V
- Complied to the RoHS directive



Item	Characteristics													
Operating temperature range	WV ≤ 350 : -40 ~ +85°C, WV > 350 : -25 ~ +85°C													
Capacitance tolerance	±20% at 120Hz, 20°C													
Leakage current max.	$I = 3\sqrt{CV}$ (µA) (after 5 minutes)													
Dissipation factor max. (at 120Hz, 20°C)	Capacitance > 1000µF : tanδ increases by 0.01 for each 1000µF from below value.													
	<table border="1"> <thead> <tr> <th>WV</th> <th>160</th> <th>200</th> <th>250</th> <th>350</th> <th>400</th> <th>450</th> </tr> </thead> <tbody> <tr> <td>tanδ</td> <td>0.15</td> <td>0.15</td> <td>0.15</td> <td>0.15</td> <td>0.15</td> <td>0.20</td> </tr> </tbody> </table>	WV	160	200	250	350	400	450	tanδ	0.15	0.15	0.15	0.15	0.15
WV	160	200	250	350	400	450								
tanδ	0.15	0.15	0.15	0.15	0.15	0.20								
Load life (after application of the rated voltage for 3000 hours at 85°C)	Leakage current	Less than specified value												
	Capacitance change	Within ±20% of initial value												
	tanδ	Less than 200% of specified value												
Shelf life (at 85°C)	After 1000 hours no load test, leakage current, capacitance and tanδ are same as load life value.													

● DRAWING

Unit : mm



* Shorter terminal(4.0±0.5) is also available upon request.
Terminal length of height 20mm products is applied shorter terminal to standard terminal type.

LARGE ALUMINUM ELECTROLYTIC CAPACITORS

HJ series

● DIMENSIONS & MAXIMUM PERMISSIBLE RIPPLE CURRENT

WV μF / ∅ D	160				200				250			
	22	25.4	30	35	22	25.4	30	35	22	25.4	30	35
150									22 × 20 0.83			
180					22 × 20 0.91				22 × 20 0.91			
220					22 × 20 1.01				22 × 25 1.09	25.4 × 20 1.11		
270	22 × 20 1.12				22 × 25 1.20	25.4 × 20 1.23			22 × 25 1.20	25.4 × 25 1.32		
330	22 × 25 1.33	25.4 × 20 1.36			22 × 25 1.33	25.4 × 20 1.36			22 × 30 1.42	25.4 × 25 1.46	30 × 20 1.49	
390	22 × 25 1.45	25.4 × 20 1.48			22 × 25 1.45	25.4 × 25 1.59	30 × 20 1.62		22 × 35 1.63	25.4 × 30 1.69	30 × 25 1.73	35 × 20 1.77
470	22 × 30 1.69	25.4 × 25 1.75			22 × 30 1.69	25.4 × 25 1.75	30 × 20 1.78		22 × 35 1.79	25.4 × 35 1.96	30 × 25 1.90	35 × 20 1.94
560	22 × 30 1.85	25.4 × 25 1.91	30 × 20 1.94		22 × 35 1.96	25.4 × 30 2.03	30 × 25 2.08	35 × 20 2.12	22 × 40 2.06	25.4 × 35 2.14	30 × 25 2.08	35 × 25 2.25
680	22 × 35 2.16	25.4 × 30 2.23	30 × 25 2.29	35 × 20 2.33	22 × 40 2.27	25.4 × 30 2.23	30 × 25 2.29	35 × 25 2.33	22 × 50 2.49	25.4 × 40 2.48	30 × 30 2.43	35 × 25 2.48
820	22 × 40 2.50	25.4 × 30 2.45	30 × 25 2.52	35 × 20 2.56	22 × 45 2.61	25.4 × 35 2.59	30 × 30 2.67	35 × 25 2.73		25.4 × 45 2.85	30 × 35 2.81	35 × 30 2.88
1000	22 × 45 2.89	25.4 × 35 2.86	30 × 30 2.95	35 × 25 3.01	22 × 50 3.01	25.4 × 40 3.01	30 × 35 3.11	35 × 30 3.18			30 × 40 3.26	35 × 35 3.35
1200	22 × 50 3.09	25.4 × 40 3.08	30 × 30 3.02	35 × 25 3.08		25.4 × 45 3.23	30 × 35 3.18	35 × 30 3.26			30 × 45 3.49	35 × 35 3.43
1500		25.4 × 45 3.61	30 × 35 3.56	35 × 30 3.65			30 × 45 3.90	35 × 35 3.83				35 × 40 4.01
1800			30 × 40 4.09	35 × 35 4.20			30 × 50 4.44	35 × 40 4.39				35 × 50 4.76
2200			30 × 50 4.63	35 × 40 4.58				35 × 45 4.77				
2700				35 × 45 5.29								
3300				35 × 50 5.77								

WV μF / ∅ D	350				400				450			
	22	25.4	30	35	22	25.4	30	35	22	25.4	30	35
56									22 × 20 0.51			
68					22 × 20 0.56				22 × 20 0.56			
82					22 × 20 0.62				22 × 25 0.66	25.4 × 20 0.68		
100	22 × 20 0.68				22 × 25 0.73	25.4 × 20 0.75			22 × 25 0.73	25.4 × 25 0.81		
120	22 × 25 0.80	25.4 × 20 0.82			22 × 25 0.80	25.4 × 20 0.82			22 × 30 0.86	25.4 × 25 0.88	30 × 20 0.90	
150	22 × 25 0.90	25.4 × 25 0.92			22 × 30 0.90	25.4 × 25 0.99	30 × 20 1.01		22 × 35 1.01	25.4 × 30 1.05	30 × 25 1.08	35 × 20 1.10
180	22 × 30 1.05	25.4 × 25 1.08			22 × 30 1.05	25.4 × 25 1.08	30 × 25 1.10		22 × 35 1.11	25.4 × 35 1.21	30 × 25 1.18	35 × 20 1.20
220	22 × 30 1.16	25.4 × 30 1.19	30 × 25 1.22		22 × 35 1.23	25.4 × 30 1.27	30 × 25 1.30	35 × 20 1.33	22 × 40 1.29	25.4 × 35 1.34	30 × 25 1.30	35 × 25 1.41
270	22 × 35 1.36	25.4 × 30 1.41	30 × 25 1.44	35 × 20 1.47	22 × 40 1.43	25.4 × 35 1.49	30 × 30 1.44	35 × 25 1.47	22 × 50 1.57	25.4 × 40 1.56	30 × 30 1.53	35 × 25 1.56
330	22 × 45 1.58	25.4 × 35 1.56	30 × 30 1.60	35 × 25 1.62	22 × 50 1.66	25.4 × 40 1.64	30 × 30 1.69	35 × 25 1.73		25.4 × 45 1.81	30 × 35 1.78	35 × 30 1.83
390	22 × 50 1.80	25.4 × 40 1.79	30 × 30 1.84	35 × 25 1.88		25.4 × 45 1.88	30 × 35 1.94	35 × 30 1.99			30 × 40 2.03	35 × 35 2.09
470		25.4 × 45 2.06	30 × 35 2.02	35 × 30 2.06		25.4 × 50 2.16	30 × 40 2.23	35 × 30 2.18			30 × 45 2.33	35 × 35 2.29
560		25.4 × 50 2.46	30 × 40 2.32	35 × 35 2.38			30 × 45 2.55	35 × 35 2.50				35 × 40 2.62
680			30 × 45 2.69	35 × 35 2.76			30 × 50 2.92	35 × 40 2.89				35 × 50 3.13
820				35 × 40 3.17				35 × 50 3.31				
1000				35 × 45 3.65								

← Case size ∅ D × L (mm)
 ← Ripple current (Arms) at 85°C, 120Hz