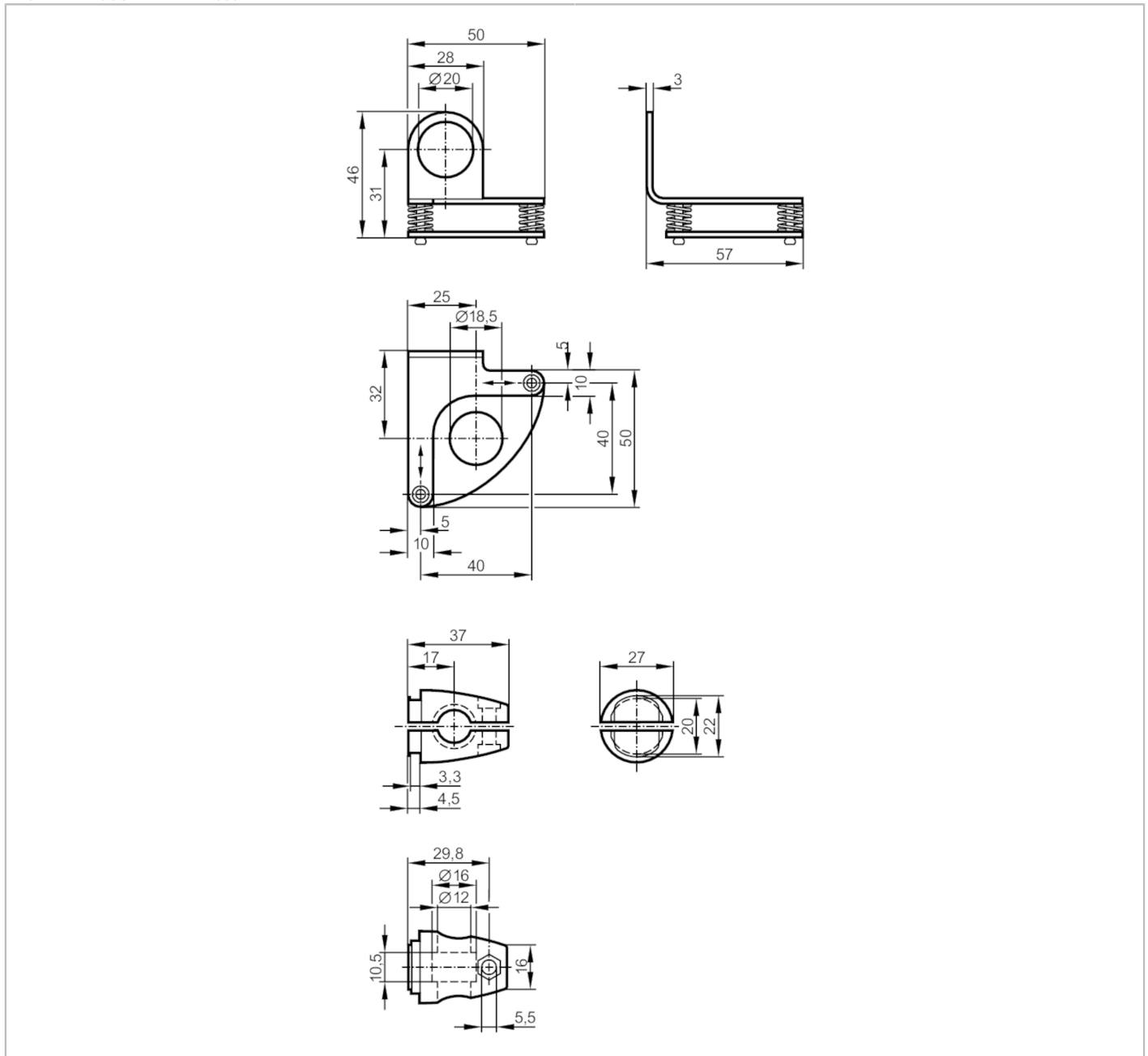


# E21220



## Fixture for mounting and fine adjustment of laser sensors

M18 FINE ADJUSTMENT 500



| Application      |   |
|------------------|---|
| Design           | clamp mounting  |
| Mechanical data  |   |
| Weight [g]       | 177   |
| Type of mounting | Mounting rod; ( $\varnothing 12$ mm)                            |
| Dimensions [mm]  | $\varnothing 18.5$  |
| Materials        | fixture: stainless steel (1.4571/316Ti); Clamp: stainless steel |
| Alignment range  | fine adjustment in 2 axes $\pm 3^\circ$                         |
| Remarks          |   |
| Pack quantity    | 1 pcs.  |