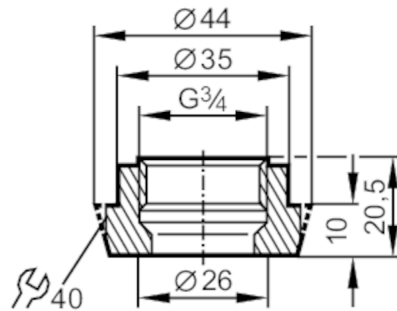


E33910



Process adapter hygienic pipe fitting

ADAPT G3/4-DIN11851/DN25 (1)



| Application | |
|---|---|
| Pressure rating | [bar] 40 |
| Tests / approvals | |
| Pressure Equipment Directive | A possible classification to PED depends on the application and has to be carried out by the user / operator. |
| Safety instructions | The compatibility between medium and product material has to be checked in all applications. |
| Mechanical data | |
| Weight | [g] 146.5 |
| Materials | stainless steel (1.4404 / 316L) |
| Sensor connection | G 3/4 |
| Process connection | hygienic pipe fitting DN25 (1") DIN 11851 |
| Surface characteristics Ra/Rz of the wetted parts | 0.4 / 4 |
| Remarks | |
| Pack quantity | 1 pcs. |