

CABLE CONNECTOR SIZE S00 SCREW
CONNECTION



General technical data:

product brand name		SIRIUS
Product designation		Connection plug
Size of the circuit-breaker		S0
Protection class IP on the front		IP20
Ambient temperature		
• during storage	°C	-50 ... +80
• during operation	°C	-20 ... +60
Ampacity maximum	A	16

Installation/ mounting/ dimensions:

Width	mm	44.8
Height	mm	42
Depth	mm	54

Certificates/ approvals:

Certificate of suitability		CE / UL / CSA / CCC
----------------------------	--	---------------------

General Product Approval	Test Certificates	Shipping Approval
--------------------------	-------------------	-------------------



[Type Test Certificates/Test Report](#)

[Special Test Certificate](#)



Shipping Approval



Shipping Approval	other
-------------------	-------



[Confirmation](#)

[Environmental Confirmations](#)



[other](#)

Further information

Information- and Downloadcenter (Catalogs, Brochures,...)

<http://www.siemens.com/industrial-controls/catalogs>

Industry Mall (Online ordering system)

<http://www.siemens.com/industrymall>

Cax online generator

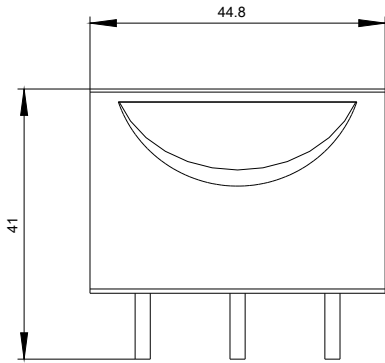
<http://support.automation.siemens.com/WW/CAXorder/default.aspx?lang=en&mlfb=3RV29175CA00>

Service&Support (Manuals, Certificates, Characteristics, FAQs,...)

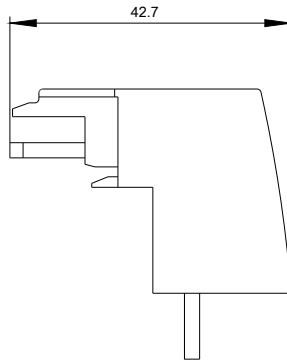
<http://support.automation.siemens.com/WW/view/en/3RV29175CA00/all>

Image database (product images, 2D dimension drawings, 3D models, device circuit diagrams, EPLAN macros, ...)

<http://www.automation.siemens.com/bilddb/index.aspx?attID9=3RV29175CA00&lang=en>



last modified:



09.03.2015