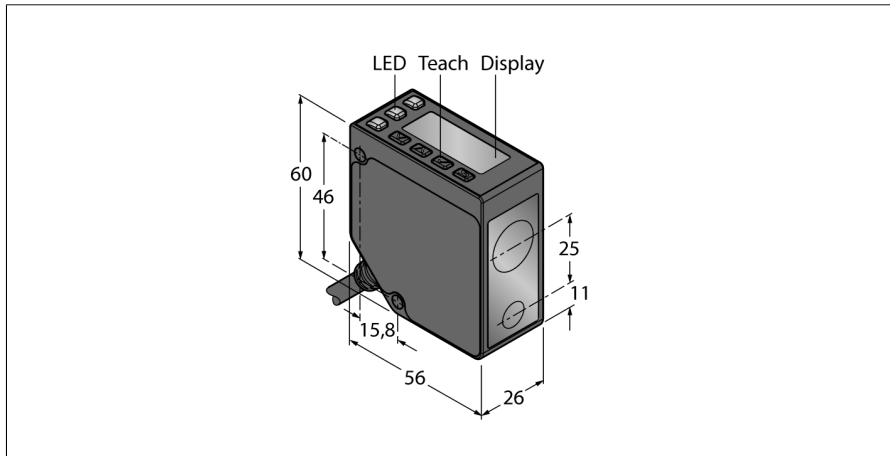
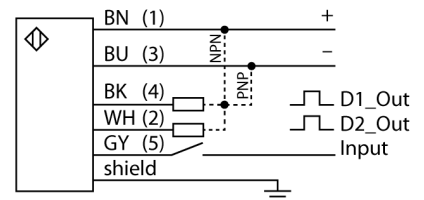


**Photoelectric sensor
laser scanning system
LE250D W/30**



- 2-line, 8-segment display
- Cable, PVC, 9 m
- Range: 100...400 mm
- Laser class 2, red, 650 nm, acc. to IEC 60825-1:2007
- Resolution at 100 mm - 250 mm distance: < 0.02 mm
- Resolution at 250 mm - 400 mm distance: < 0.2 mm
- Operating voltage: 12...30 VDC
- Two switching outputs PNP/NPN configurable

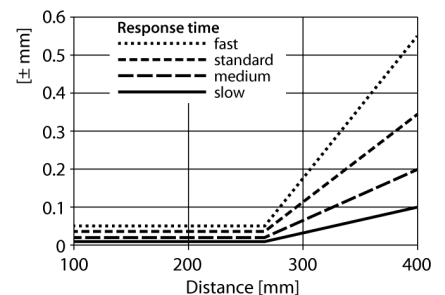
Wiring Diagram



Functional principle

The laser distance sensors of the LE250 Series measure the distance to the object to 400 mm. The devices are set with buttons on the housing. The built-in display assists with the menu navigation and serves to display the measured distance. The switching output is reprogrammable and the analog output is, depending on the type, either laid out as current or voltage output. The integrated connector is rotatable by 90° degrees which makes it easy to mount. The transmitter LED can be turned off via the menu or the grey wire (PIN 5). The same wire can be used to operate two devices in the synch mode, which prevents mutual influence. The measuring accuracy is 0.02 mm at a distance of 250 mm and 0.2 mm at a distance of 400 mm.

Excess Gain Curve



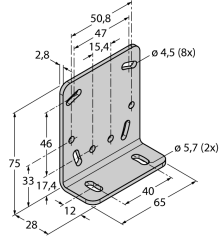
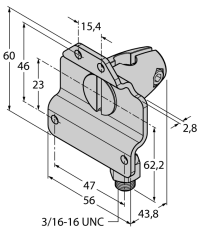
Type designation	LE250D W/30
Ident no.	3094203
Operating mode	Laser sensor, diffuse mode (triangulation)
Light type	red
Wavelength	650 nm
Laser class	▲ 2
Optical resolution	0.2 mm
Repeatability	0.1 mm
Range	100...400 mm
Ambient temperature	-20...+55 °C
Ambient light immunity	> 10000 lux
Operating voltage	12...30 VDC
DC rated operational current	≤ 70 mA
Short-circuit protection	yes
Reverse polarity protection	yes
Output 2	Switching output
Switching frequency	≤ 250 Hz
Readiness delay	≤ 2 s
Approvals	CE, cULus listed
Design	Rectangular, LE250
Dimensions	56 mm x 26 mm x 60 mm
Housing material	Die-cast zinc, ZN, Black
Lens	plastic, Polycarbonate
Electrical connection	Cable, PVC
Cable length	9 m
Cable cross section	5 mm ²
Protection class	IP67
Special features	Synchronization
Power-on indication	LED green
Switching state	LED yellow

Photoelectric sensor
laser scanning system
LE250D W/30

TURCK

Industrial
Automation

Accessories

Type code	Ident no.	Description	
SMBLEL	3086754	Mounting bracket, rectangular, stainless steel, for side mounting of LE250/550 sensors	
SMBLEFA	3088226	Mounting bracket, rotatable, stainless steel, for sensors of the LE250/550 series	
SMBLEU	3086755	Protective housing, stainless steel, for sensors of the LE250/550 series	