

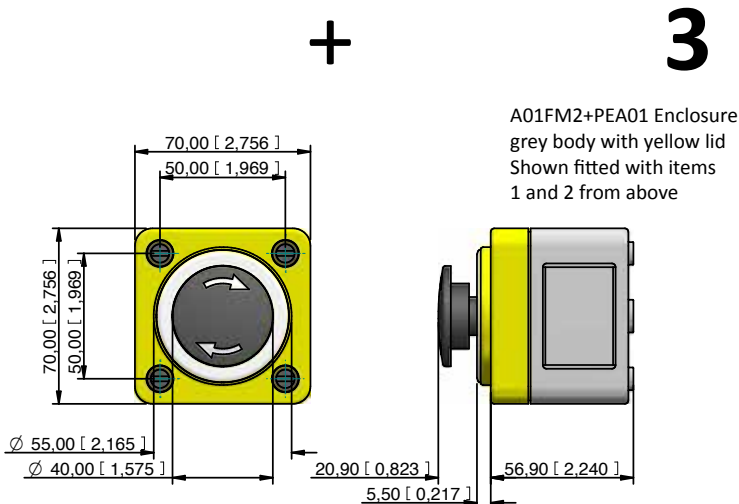
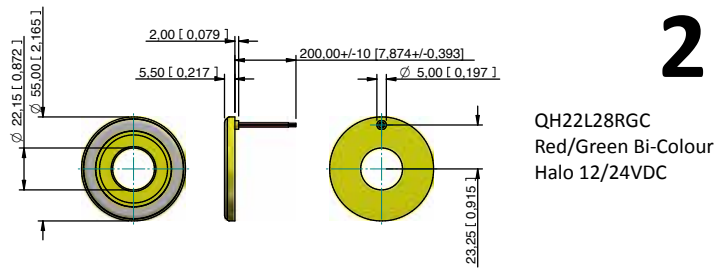
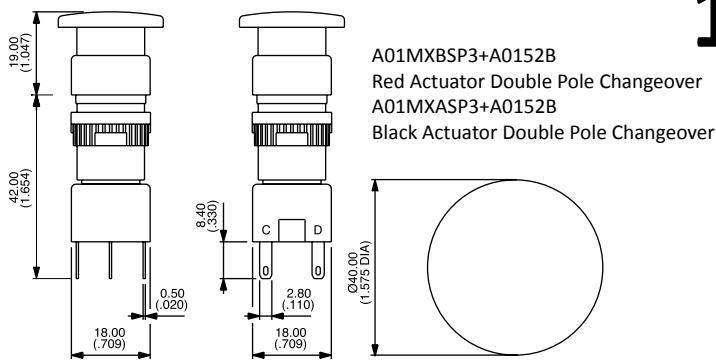
APEM



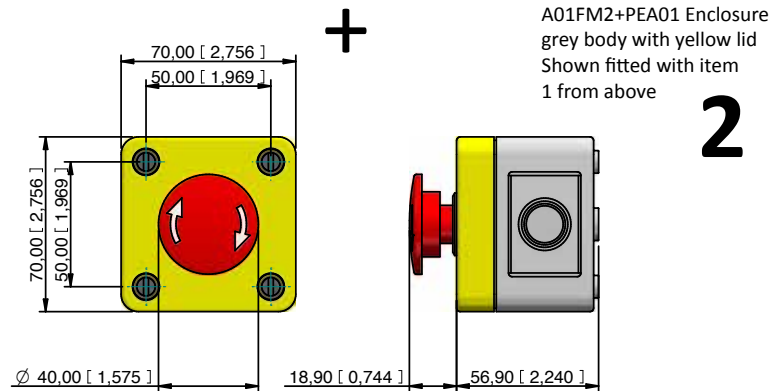
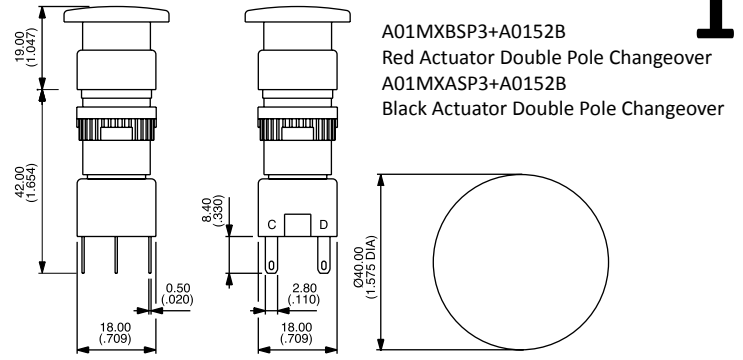
INDUSTRIAL CONTROLS

Mushroom Head Pushbutton including enclosure with or without illuminated halo

With Illuminated Halo



Without Illuminated Halo



Part Number Detail

40mm latching mushroom head pushbutton switch
Red Actuator Double Pole Changeover
APEM Part Number:- A01MXBSP3+A0152B+FM2+PEA01

40mm latching mushroom head pushbutton switch
Black Actuator Double Pole Changeover
APEM Part Number:- A01MXASP3+A0152B+FM2+PEA01

40mm latching mushroom head pushbutton switch
Red Actuator Double Pole Changeover With Red/Green Halo
APEM Part Number:- A01MXBSP3+A0152B+FM2+PEA01+QH22L28RGC

40mm latching mushroom head pushbutton switch
Black Actuator Double Pole Changeover With Red/Green Halo
APEM Part Number:- A01MXASP3+A0152B+FM2+PEA01+QH22L28RGC