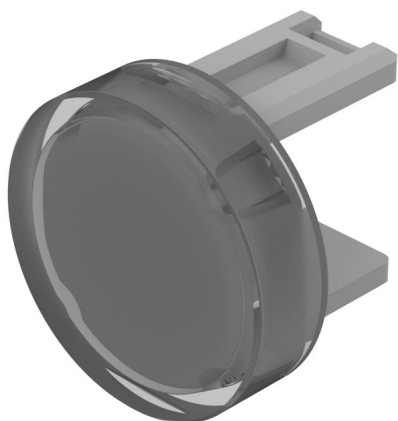


### 31-933.7 - Lens plastic



*Attention: The preview is based on a sample product. This can differ from your current configuration.*

### Other Attributes

Weight	0,001 kg
Dimension	Ø 15.8 mm

### Operating-/Indication part

Lens optics	transparent
Lens colour	colourless
Lens material	Plastic
Lens profile	flat
Lens illumination	illuminative