

119mm Compact fan

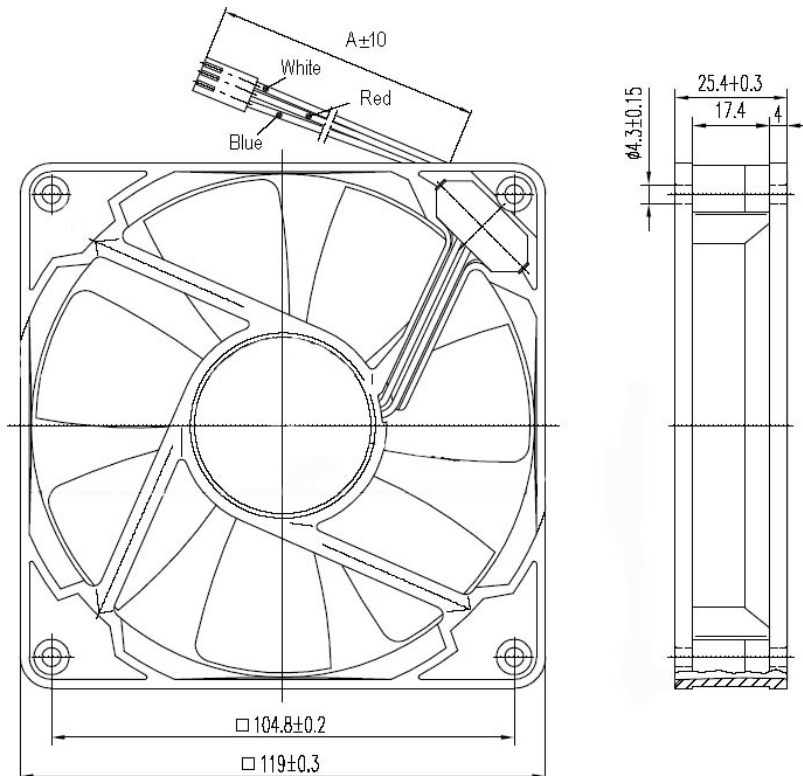


- With electronic protection against reverse polarity. The fan only operates when the polarity is correct. Impedance-protected against locked rotor and overloading.
- Fan of fibreglass reinforced plastic. PBT housing, PA impeller
- Air exhaust over struts. Rotational direction CCW looking at rotor
- Fitted with 3 pin molex connector (22-01-2035)
- Sensor signal for speed monitoring

Nominal data	Air flow @ free air	Air flow @ free air	Nominal voltage	Voltage range	Noise	Sinter-sleeve bearings	Power input	Nominal speed	Temperature range	Service life L ¹⁰ @40°C/ @ t max	Dimension
	m ³ /h	CFM									
4412F/2GL-489	94	55.3	12	7 ... 14	26	Yes	1.3	1600	-20...+85	80,000/35,500	323
4412F/2M-504	140	82.4	12	7 ... 12.6	38	Yes	3.2	2400	-20...+80	70,000/30,000	413
4412F/2GLL-515	72	42.5	12	7 ... 14	26	Yes	0.75	1200	-20...+75	60,000/37,500	323

subject to alterations

Dimensions



ebm-papst UK Ltd, Chelmsford Business Park, Chelmsford, Essex, CM2 5EZ
 +44 (0)1245 68555
 www.ebmpapst.co.uk