



## MCX COAXIAL CONNECTORS

Connex MCX Series connectors are ideal for applications and designs where weight and space savings are critical. This series has a 50 ohm impedance structure which operates in a frequency range of up to 6 GHz. It's push-on/pull-off mating design facilitates a quick connect/disconnect capability.

Connex MCX connectors are popularly used in the cellular telephone, information systems and communications markets.

MCX connectors are available in 75 ohm version by adding -75 to standard 50 ohm part number.

## ELECTRICAL SPECIFICATIONS

Impedance	50 ohm and 75 ohm
Frequency Range	0–6 GHz
Working Voltage	335 VRMS
Dielectric Withstanding Voltage	1000 Volts
VSWR	Straight: 1.3 max. 6 GHz
	Right angle: 1.5 max. 6 GHz
Contact Resistance	Center contact 5.0 milliohm max.
	Outer contact 1.0 milliohm max.
Insulation Resistance	5000 megohms
Insertion Loss	0.1 dB Max./1 GHz

Mating engagement compatible with CECC 22220

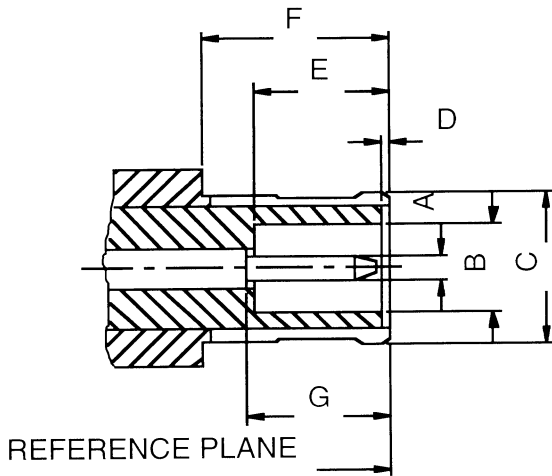
## MATERIAL SPECIFICATIONS

PARTS NAME		MATERIAL	FINISH
Center Contact	Male	Brass per QQ-B-626	30µ" Gold
	Female	Beryllium Copper per QQ-C-530 Heat-treated per MIL-H-7199	30µ" Gold
Metal parts		Brass per QQ-B-626	Nickel or gold per requirement
Insulators		PTFE	None
Gasket		Silicone rubber	None
Crimp ferrule		Seamless copper tubing alloy	Nickel or gold per requirement



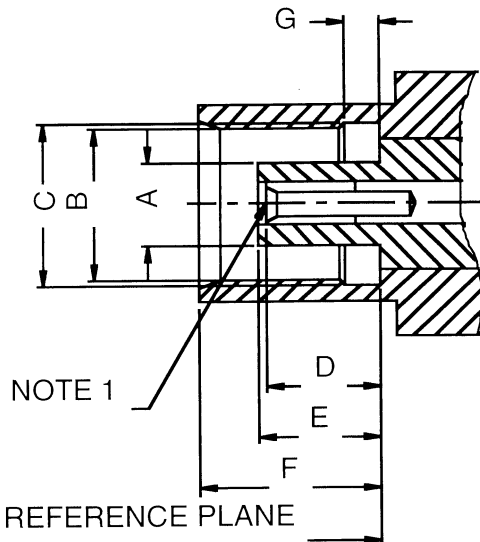
## MCX COAXIAL CONNECTORS

### INTERFACE MATING DIMENSIONS



#### PLUG

Letter	Millimeters [Inches]	
	Minimum	Maximum
A	0.48 [.019]	0.53 [.021]
B	2.00 [.079]	2.07 [.082]
C	3.66 [.144]	3.76 [.148]
D	0.00	0.30 [.012]
E	2.81 [.111]	3.20 [.126]
F	4.16 [.164]	–
G	2.81 [.111]	3.20 [.126]



#### JACK

Letter	Millimeters [Inches]	
	Minimum	Maximum
A	1.80 [.071]	1.97 [.078]
B	3.43 [.135]	3.48 [.137]
C	3.61 [.142]	3.75 [.148]
D	2.31 [.091]	2.79 [.110]
E	2.61 [.103]	2.79 [.110]
F	4.00 [.158]	4.12 [.162]
G	0.75 [.030]	0.85 [.033]

NOTE: 1. I.D. TO MEET VSWR AND CONTACT RESISTANCE WHEN MATED WITH .48/.53 MM DIA. PIN.

## MCX COAXIAL CONNECTORS

All connector bodies, unless otherwise noted, are machined brass, 3µ" gold plated.

All insulators are Teflon.

All center contacts are 30µ" gold plated.

All dimensions are in millimeters and [inches].

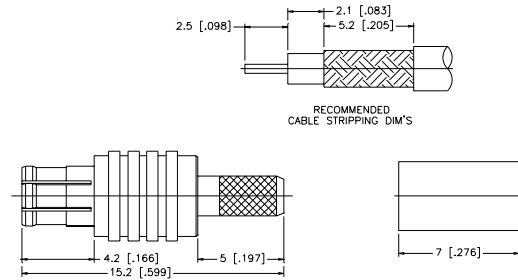
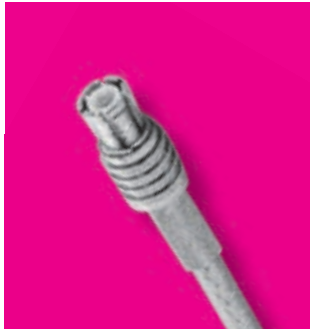
### CABLE GROUP LEGEND

01	58/ 58A/ 58C/ 141/ 303/ LMR195™/ B7806A	06A	179/ U DOUBLE BRAIDED	09	B8227/ 89207
01A	55/ 142/ 223/ 400	07	8/ 8A/ 213/ 393	10	.141 SEMI-RIGID/ 402/U
01B	LMR200™/ B7807A	07A	214	11	.085 SEMI-RIGID/ 405/U
02	58 PLENUM/THINNET/ 122U/ B88240/ B89907	07B	8X/ LMR240™/ B7808A	12	.250 SEMI-RIGID
03	59/ 62/ 140/ 210	07C	B9913/ LMR400™/ B7810A/ B8214	13	.047 SEMI-RIGID/ B1674A
03A	59/ U-20AWG	07D	B89913	14	178/ 196
04	59/ U PLENUM	07E	11	15	B8281/ B9231/ B9141
04A	59/ U PLENUM-20AWG	07F	11/ U-14AWG/ B8213/ B9292/ B7731/ B1859A	15A	B88281
05	174/ 188A/ 316/ B7805A	08	6/ 143/ 212	16	180/ 195/ 122/ B8218/ B1865A/ B1855
05A	316/ U DOUBLE BRAIDED	08A	B1694A/ B9248	17	LMR600™
06	179/ 187/ B9221	08B	6 PLENUM/ B1695A	18	AT&T734A/ B1505A
				19	AT&T735A/ B735A1

## CRIMP ATTACHMENTS FOR FLEXIBLE AND SEMI-RIGID CABLE

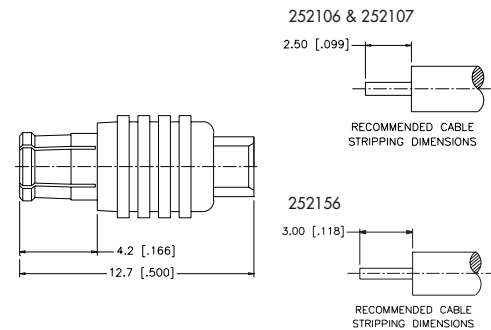
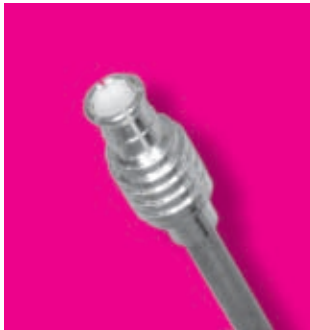
### STRAIGHT CRIMP PLUG — FLEXIBLE CABLE

P.N.	Cable Group	Finish	Insulation	Impedance	Crimp Tool
252101	05	Nickel	Teflon	50	B
252103	05	Gold	Teflon	50	B
252120	05A	Nickel	Teflon	50	C
252121	05A	Gold	Teflon	50	C
252101-75	06	Nickel	Teflon	75	B
252103-75	06	Gold	Teflon	75	B
252120-75	06A	Nickel	Teflon	75	C
252121-75	06A	Gold	Teflon	75	C
252126	14	Nickel	Teflon	50	B
252127	14	Gold	Teflon	50	B

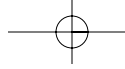


### STRAIGHT SOLDER PLUG — SEMI-RIGID CABLE

P.N.	Cable Group	Finish	Insulation	Impedance	Crimp Tool
252110	10	Nickel	Teflon	50	N/A
252111	10	Gold	Teflon	50	N/A
252106	11	Nickel	Teflon	50	N/A
252107	11	Gold	Teflon	50	N/A
252156	13	Gold	Teflon	50	N/A



MCX COAXIAL CONNECTORS



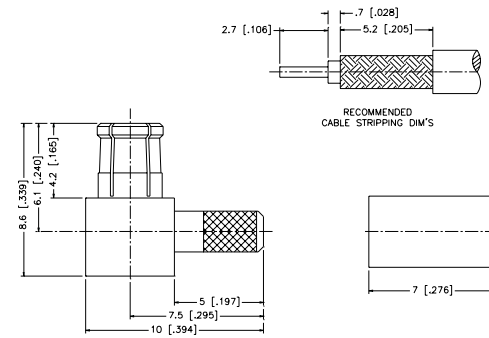
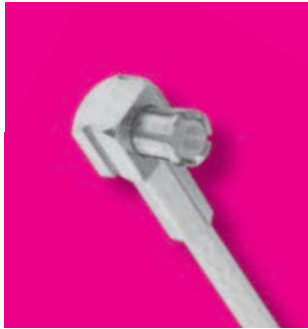
# CRIMP ATTACHMENTS FOR FLEXIBLE AND SEMI-RIGID CABLE

For Cable Group Legend, see page 19

MCX COAXIAL CONNECTORS

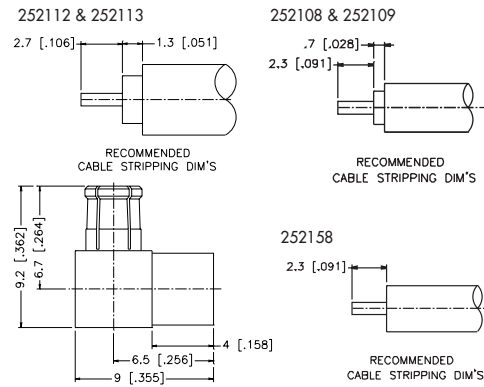
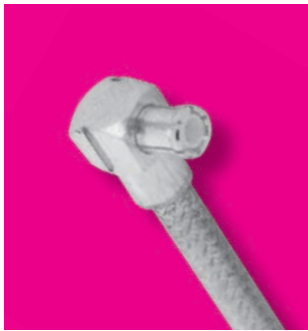
## RIGHT ANGLE CRIMP PLUG — FLEXIBLE CABLE

P.N.	Cable Group	Finish	Insulation	Impedance	Crimp Tool
252114	01	Nickel	Teflon	50	A
252115	01	Gold	Teflon	50	A
252122	01A	Nickel	Teflon	50	A
252123	01A	Gold	Teflon	50	A
252100	05	Nickel	Teflon	50	B
252102	05	Gold	Teflon	50	B
252118	05A	Nickel	Teflon	50	C
252119	05A	Gold	Teflon	50	C
252100-75	06	Nickel	Teflon	75	B
252102-75	06	Gold	Teflon	75	B
252118-75	06A	Nickel	Teflon	75	C
252119-75	06A	Gold	Teflon	75	C
252134	14	Nickel	Teflon	50	B
252135	14	Gold	Teflon	50	B



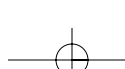
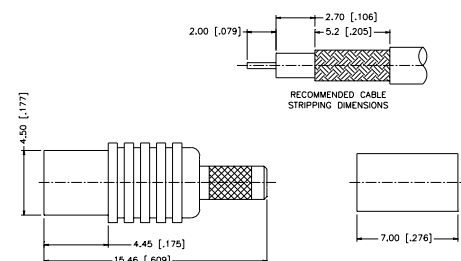
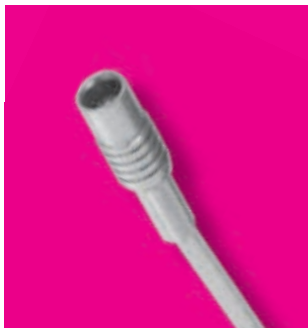
## RIGHT ANGLE SOLDER PLUG — SEMI-RIGID CABLE

P.N.	Cable Group	Finish	Insulation	Impedance	Crimp Tool
252112	10	Nickel	Teflon	50	N/A
252113	10	Gold	Teflon	50	N/A
252108	11	Nickel	Teflon	50	N/A
252109	11	Gold	Teflon	50	N/A
252158	13	Gold	Teflon	50	N/A



## STRAIGHT CRIMP JACK — FLEXIBLE CABLE

P.N.	Cable Group	Finish	Insulation	Impedance	Crimp Tool
252138	05	Nickel	Teflon	50	B
252139	05	Gold	Teflon	50	B
252164	05A	Nickel	Teflon	50	C
252165	05A	Gold	Teflon	50	C
252136	14	Nickel	Teflon	50	B
252137	14	Gold	Teflon	50	B
252138-75	06	Nickel	Teflon	75	B
252139-75	06	Gold	Teflon	75	B
252164-75	06A	Nickel	Teflon	75	C
252165-75	06A	Gold	Teflon	75	C

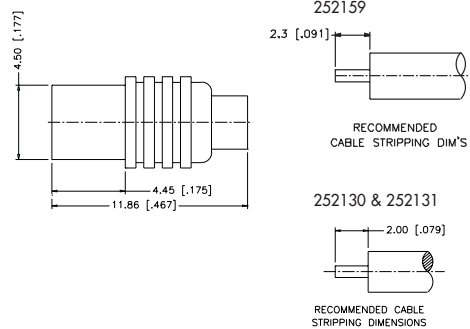


# CRIMP ATTACHMENTS FOR FLEXIBLE AND SEMI-RIGID CABLE

For Cable Group Legend, see page 19

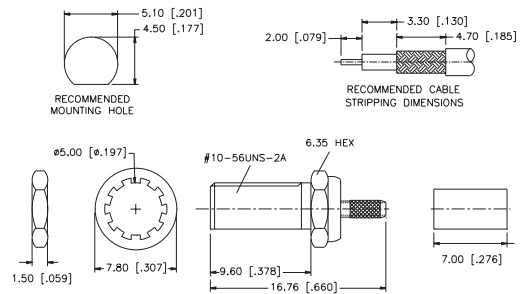
## STRAIGHT SOLDER JACK — SEMI-RIGID CABLE

P.N.	Cable Group	Finish	Insulation	Impedance	Crimp Tool
252130	11	Nickel	Teflon	50	N/A
252131	11	Gold	Teflon	50	N/A
252157	13	Gold	Teflon	50	N/A
252159	13	Gold	Teflon	50	N/A
RIGHT ANGLE JACK					



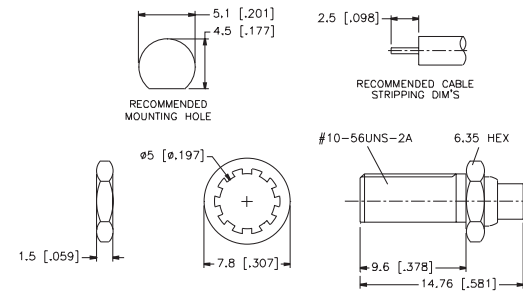
## STRAIGHT CRIMP BULKHEAD JACK — FLEXIBLE CABLE

P.N.	Cable Group	Finish	Insulation	Impedance	Crimp Tool
252144	05	Nickel	Teflon	50	B
252145	05	Gold	Teflon	50	B
252146	05A	Nickel	Teflon	50	C
252147	05A	Gold	Teflon	50	C
252144-75	06	Nickel	Teflon	75	B
252145-75	06	Gold	Teflon	75	B
252146-75	06A	Nickel	Teflon	75	C
252147-75	06A	Gold	Teflon	75	C
252166	14	Nickel	Teflon	50	B
252167	14	Gold	Teflon	50	B



## STRAIGHT SOLDER BULKHEAD JACK — SEMI-RIGID CABLE

P.N.	Cable Group	Finish	Insulation	Impedance	Crimp Tool
252163	11	Gold	Teflon	50	N/A
252162	13	Gold	Teflon	50	N/A



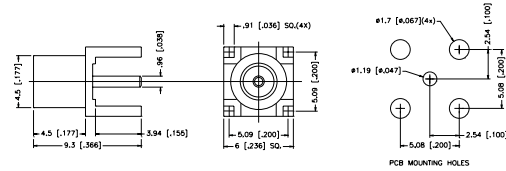
# PRINTED CIRCUIT BOARD. STRAIGHT TERMINAL

For Cable Group Legend, see page 19

## STRAIGHT JACK FOR PRINTED CIRCUIT BOARD

P.N.	Cable Group	Finish	Insulation	Impedance	Crimp Tool
252104	N/A	Nickel	Teflon	50	N/A
252104-01	N/A	Nickel	Teflon	50	N/A
			2.92 mm [.115"] LEGS		
252105	N/A	Gold	Teflon	50	N/A
252105-01	N/A	Gold	Teflon	50	N/A
			2.92 mm [.115"] LEGS		
252116	N/A	Nickel	Teflon	50	N/A
			SURFACE MOUNT		
252117	N/A	Gold	Teflon	50	N/A
			SURFACE MOUNT		

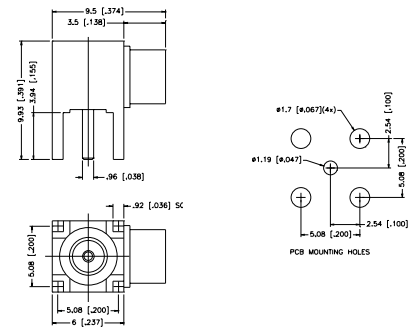
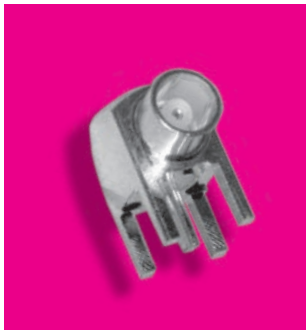
Remark: For 75 ohm connector, add -75 to part number



## RIGHT ANGLE JACK FOR PRINTED CIRCUIT BOARD

P.N.	Cable Group	Finish	Insulation	Impedance	Crimp Tool
252128	N/A	Nickel	Teflon	50	N/A
252129	N/A	Gold	Teflon	50	N/A
252140	N/A	Nickel	Teflon	50	N/A
			2.92 mm [.115"] LEGS		
252141	N/A	Gold	Teflon	50	N/A
			2.92 mm [.115"] LEGS		
252142	N/A	Nickel	Teflon	50	N/A
			1.73 mm [.068"] LEGS		
252143	N/A	Gold	Teflon	50	N/A
			1.73 mm [.068"] LEGS		
252148	N/A	Nickel	Teflon	50	N/A
			SURFACE MOUNT		
252149	N/A	Gold	Teflon	50	N/A
			SURFACE MOUNT		

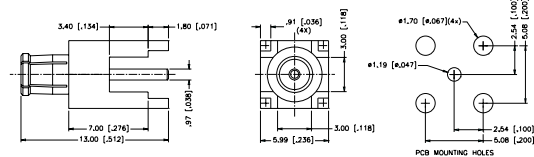
Remark: For 75 ohm connector, add -75 to part number



## STRAIGHT PLUG FOR PRINTED CIRCUIT BOARD

P.N.	Cable Group	Finish	Insulation	Impedance	Crimp Tool
252152	N/A	Nickel	Teflon	50	N/A
252153	N/A	Gold	Teflon	50	N/A

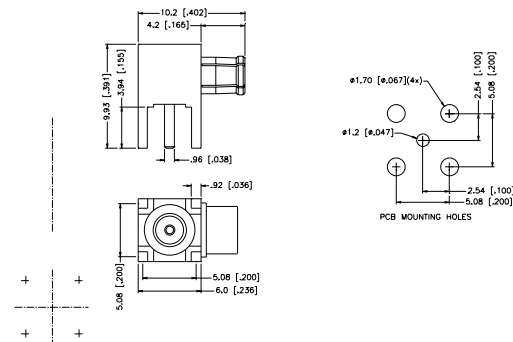
Remark: For 75 ohm connector, add -75 to part number



## RIGHT ANGLE PLUG FOR PRINTED CIRCUIT BOARD

P.N.	Cable Group	Finish	Insulation	Impedance	Crimp Tool
252154	N/A	Nickel	Teflon	50	N/A
252155	N/A	Gold	Teflon	50	N/A

Remark: For 75 ohm connector, add -75 to part number



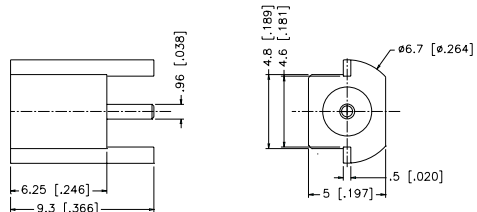
# PRINTED CIRCUIT BOARD. STRAIGHT TERMINAL

For Cable Group Legend, see page 19

## EDGECARD PCB RECEPTACLE

P.N.	Cable Group	Finish	Insulation	Impedance	Crimp Tool
252150	N/A	Nickel	Teflon	50	N/A
252151	N/A	Gold	Teflon	50	N/A

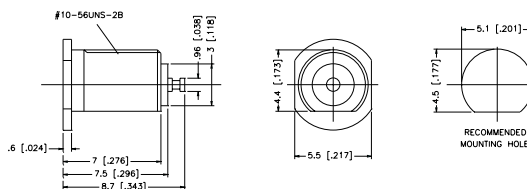
Remark: For 75 ohm connector, add -75 to part number



## STRAIGHT BULKHEAD RECEPTACLE

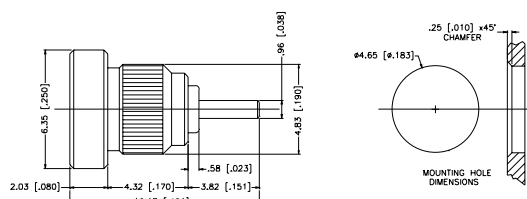
P.N.	Cable Group	Finish	Insulation	Impedance	Crimp Tool
252132	N/A	Nickel	Teflon	50	N/A
252133	N/A	Gold	Teflon	50	N/A

Remark: For 75 ohm connector, add -75 to part number



## STRAIGHT BULKHEAD RECEPTACLE — PRESS FIT

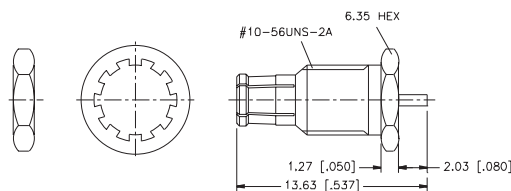
P.N.	Cable Group	Finish	Insulation	Impedance	Crimp Tool
252125	N/A	Nickel	Teflon	50	N/A
252124	N/A	Gold	Teflon	50	N/A



## STRAIGHT BULKHEAD PLUG RECEPTACLE

P.N.	Cable Group	Finish	Insulation	Impedance	Crimp Tool
252172	N/A	Nickel	Teflon	50	N/A
252173	N/A	Gold	Teflon	50	N/A

Remark: For 75 ohm connector, add -75 to part number



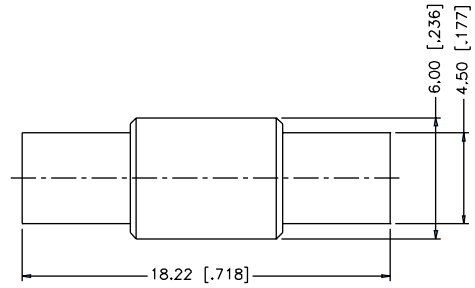
## IN-SERIES ADAPTERS

For Cable Group Legend, see page 19

### JACK-TO-JACK ADAPTER

P.N.	Cable Group	Finish	Insulation	Impedance	Crimp Tool
252168	N/A	Nickel	Teflon	50	N/A
252169	N/A	Gold	Teflon	50	N/A

Remark: For 75 ohm connector, add -75 to part number



### JACK-TO-JACK BULKHEAD ADAPTER

P.N.	Cable Group	Finish	Insulation	Impedance	Crimp Tool
252170	N/A	Nickel	Teflon	50	N/A
252171	N/A	Gold	Teflon	50	N/A

Remark: For 75 ohm connector, add -75 to part number

