

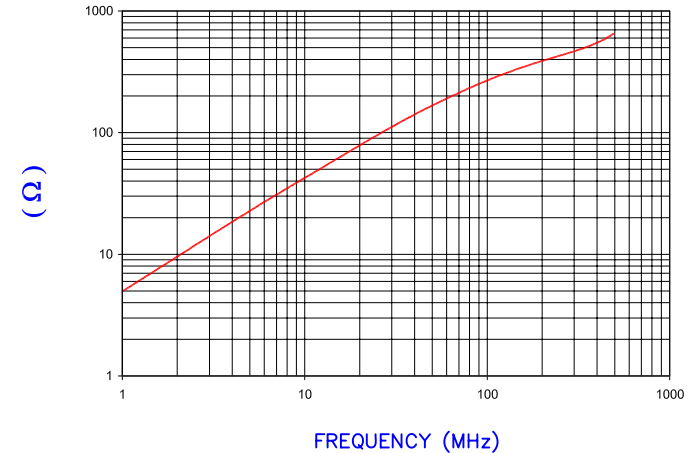
CORE DIMENSIONS:

A	14.99 [.590]	+	0.23 [.009]
B	6.76 [.266]	+	0.25 [.010]
C	28.83 [1.135]	+	0.51 [.020]
D	7.49 [.295]	+	0.18 [.007]

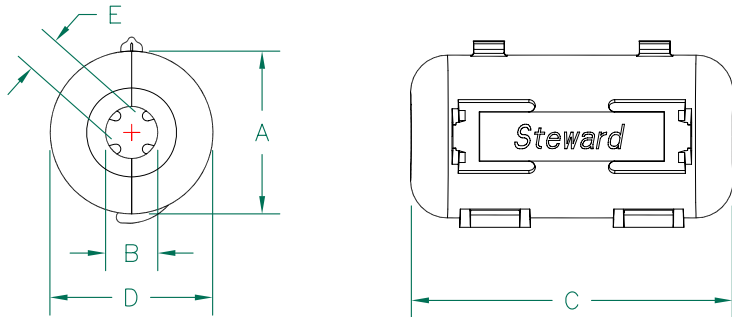
UNCONTROLLED DOCUMENT

IMPEDANCE (Z)			
Frequency	25 MHz	100 MHz	300 MHz
Nominal (REF)	95 Ω	270 Ω	460 Ω
Minimum	- Ω	216 Ω	- Ω

Z vs. FREQUENCY
(REF. ONLY)



AGILENT E4991A Impedance/Material Analyzer
HP 16092A-Test Fixture



CASE DIMENSIONS:

A	21.00 [.827]	+	Ref.
B	6.80 [.268]	+	Ref.
C	41.70 [1.642]	+	Ref.
D	21.00 [.827]	+	Ref.
E	4.85 [.191]	+	Ref.

NOTES:

1. ASSEMBLED PART #: 28A2026-0A2
2. CASE COLOR: BLACK - "0A2"
3. CASE FLAMMABILITY RATING: UL94 V-2.
4. CASE MATERIAL: Halogen Free Nylon

DIMENSIONS ARE IN mm [INCHES].				This print is the property of Laird Tech. and is loaned in confidence subject to return upon request and with the understanding that no copies shall be made without the written consent of Laird Tech. All rights to design or invention are reserved.		Laird TECHNOLOGIES®			
G	UPDATED NOTE 3	09/15/10	JUN	PROJECT/PART NUMBER: 28A2026-0A2		REV	PART TYPE: CASE ASSEMBLY	DRAWN BY: JRK	
F	UPDATE COMPANY LOGO ADD NOTE 3&4	01/27/09	JRK			G			
E	UPDATE 100MHz MINIMUM VALUE	11/01/07	TMB			SCALE:	NTS	MATERIAL:	NiZn FERRITE
D	UPDATE COMPANY LOGO	04/18/07	TMB			DATE:	06/29/04	TOOL #	-
C	CHANGE CASE DIMENSION TOLERANCES REVISE NOTE 1	03/05/07	TMB			CAD #	28A2026-0A2-G		
B	CASE DIMS&TOLS ADD E DIM TO CASE	05/16/06	TMB	REV					
A	ORIGINAL DRAFT	06/29/04	JRK						
REV	DESCRIPTION	DATE	INT						