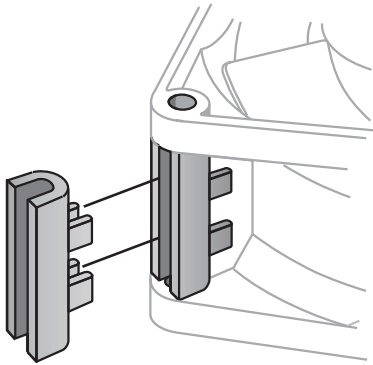


# Accessories

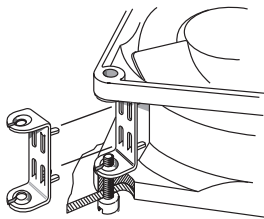
In addition to the accessories and assembly parts listed in this catalogue, ebm-papst also supplies numerous special parts for fans. The sales experts at ebm-papst will be happy to assist you in your enquiries concerning fan assembly and application.



Fan series	Accessories
8300	LZ212 / LZ260
8400 N	LZ261
3300	LZ212 / LZ260
3400 N	LZ261
9000	LZ210
4000	LZ210
4300	LZ212 / LZ260
8300	LZ212

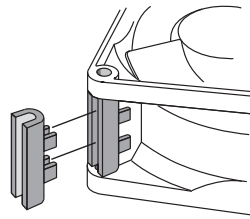
Fan series	Accessories
5100	LZ210
5600	LZ210
5200	LZ210
5900	LZ210
7000	LZ210
VARIOFAN	LZ370

## LZ212



Screw clip of stainless steel. For mounting fans with threaded pin 3.5 DIN EN ISO 1478 (7970).

## LZ260/LZ261



Spacer of fibreglass reinforced plastic. For screw mounting over both fan mounting flanges.

## LZ210



Screw clip of hardened steel. For mounting fans with threaded pin 6-32 UNC and/or 3.5 DIN 7970.

## LZ370

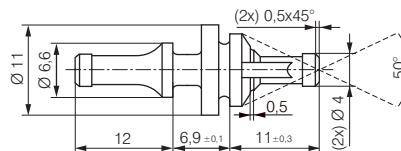


Required performance data:

$R_{25}$	= 100 K $\Omega$ $\pm$ 5% @25°C
B-value	= 4190 $\pm$ 2%
$P_{max}$	= 0,25 W

Temperature sensor for speed-controlled fan operation. Temperature range 30...50 °C.

## LZ550



Rubber anti-vibration mounts for fans with a hole  $\varnothing$  of  $4.3 \pm 0.2$  mm and flange thickness of 3 - 5.5 mm. For a carrier plate with a hole  $\varnothing$  of  $6.5 \pm 0.15$  mm and plate thickness of 1 - 2 mm.