

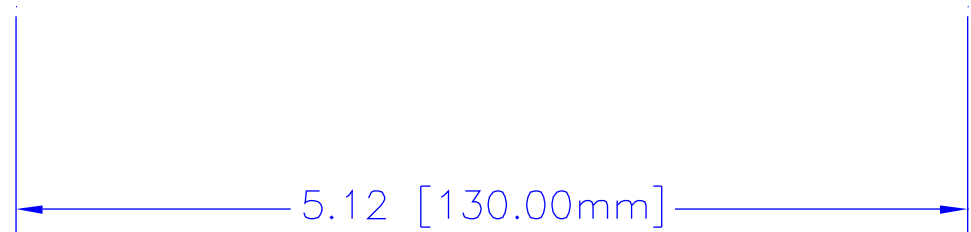
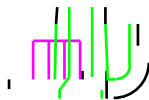
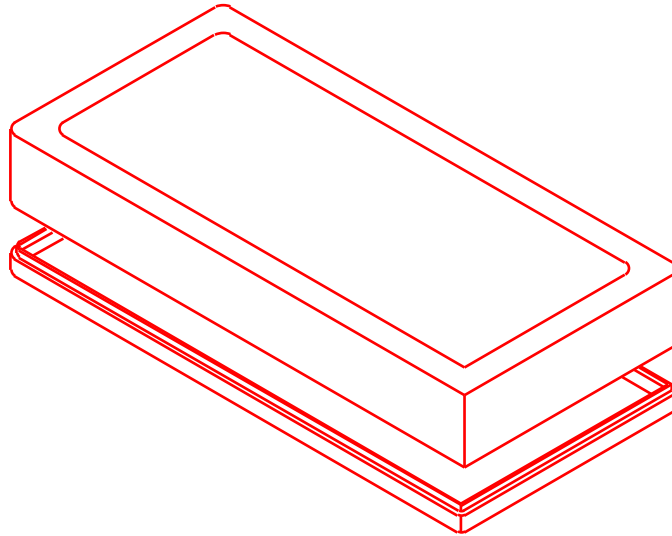
REV	DESCRIPTION	DATE

NOTES

MATERIAL (ABS) FLAME RETARDANT UL94 VO MATERIAL WITH BRASS INSERTS IN CORNER POSTS, (STYRENE) IS NON-FLAME RETARDANT WITHOUT BRASS INSERTS,

PARTS (ABS) VERSION MACHINE SCREWS M3-0.5 x 28mm, REPLACEMENT PN 1599HMS100 (100 / BAG), (STYRENE) VERSION SELF TAPPING #4 x 1.3125", REPLACEMENT PN 1599HTS100 (100 / BAG),

COLORS (ABS) BLACK, & GRAY, (STYRENE) GRAY ONLY,



UNLESS OTHERWISE SPECIFIED
DIMENSIONS ARE IN INCHES

XX	+/- .1
XXX	+/- .02
XXXX	+/- .015
CUTS	+/- .005
ANGLES	+/- .5 DEG.

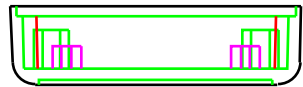
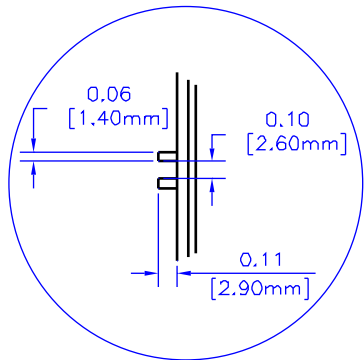
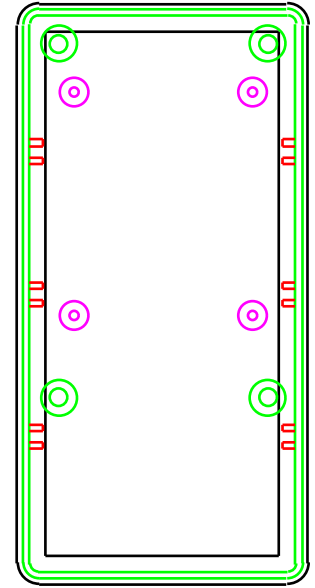
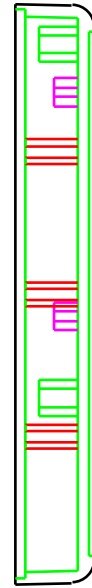
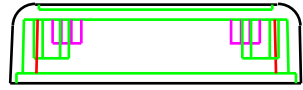
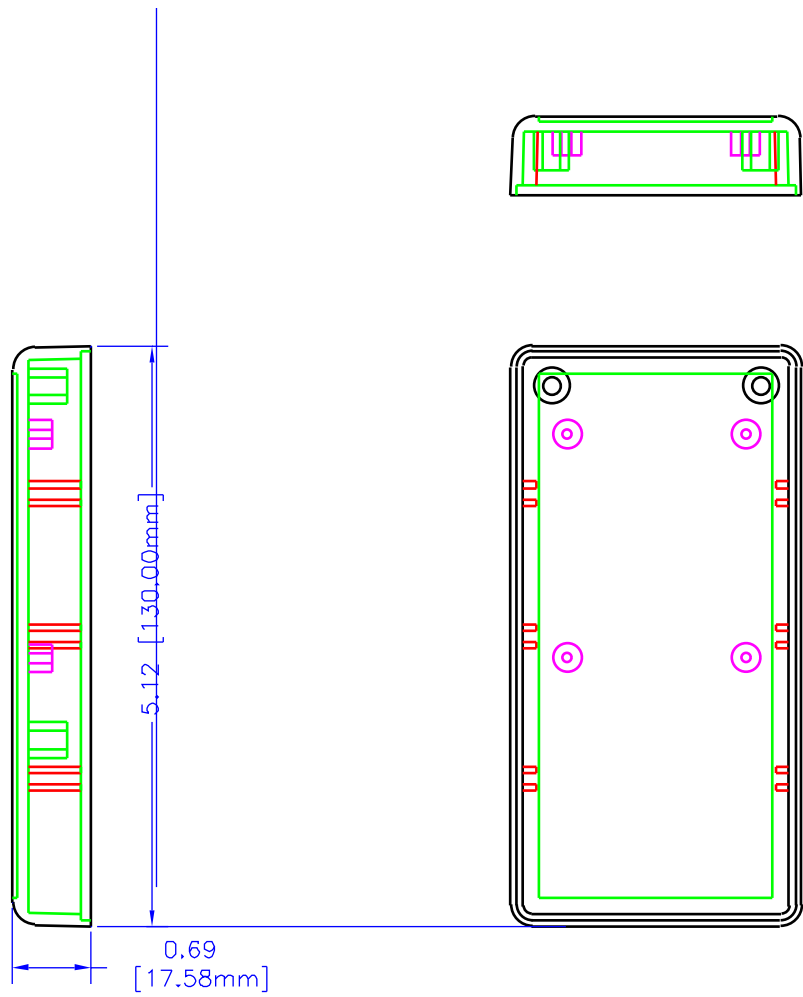
NOTES
HARDWARE CLEARANCE DIMENSIONS SHOWN TO THE MATERIAL ON THIS DRAWING IS REQUIRED TO BE USED AS A REFERENCE FOR DIMENSIONING INFORMATION ONLY. THIS INFORMATION MAY NOT BE USED TO MANUFACTURE PRODUCT WITHOUT WRITTEN PERMISSION FROM HAMMOND MANUFACTURING.



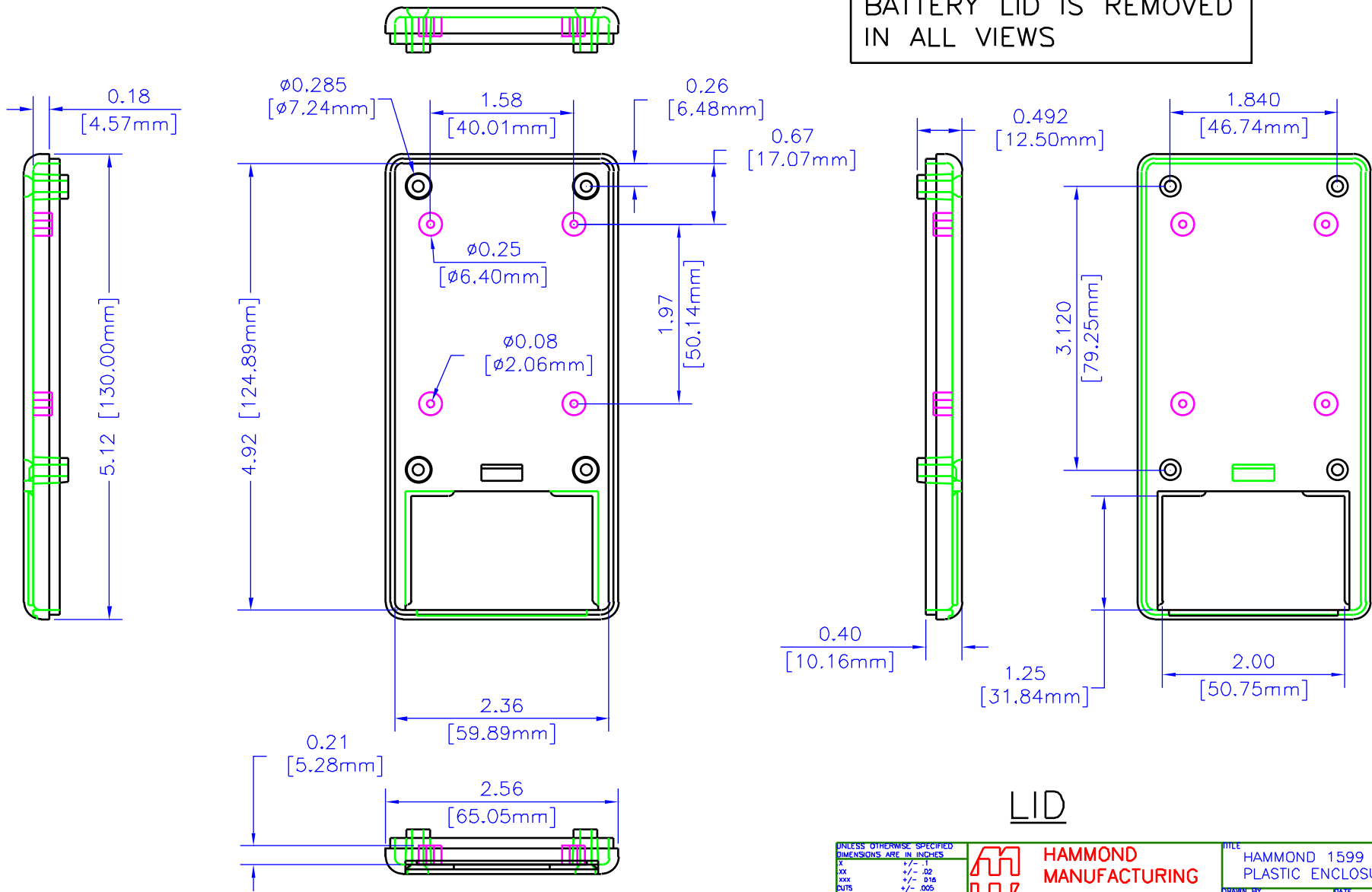
**HAMMOND
MANUFACTURING**

WEB: WWW.HAMMONDMFG.COM

TITLE		HAMMOND 1599 SERIES PLASTIC ENCLOSURE	
DRAWN BY	MJM	DATE	07/30/01
SCALE		PAGE	1 OF 3
PART NUMBER		1599BBAT	



BATTERY LID IS REMOVED
IN ALL VIEWS



LID

UNLESS OTHERWISE SPECIFIED
DIMENSIONS ARE IN INCHES
XX +/- .1
XXX +/- .02
XXXX +/- .015
DITS +/- .005
ANGLES +/- .5 DEG.



HAMMOND
MANUFACTURING

WEB: WWW.HAMMONDMFG.COM

TITLE		HAMMOND 1599 SERIES PLASTIC ENCLOSURE	
DRAWN BY	MJM	DATE	07/30/01
SCALE		PAGE	3 OF 3
PART NUMBER		1599BBAT	