



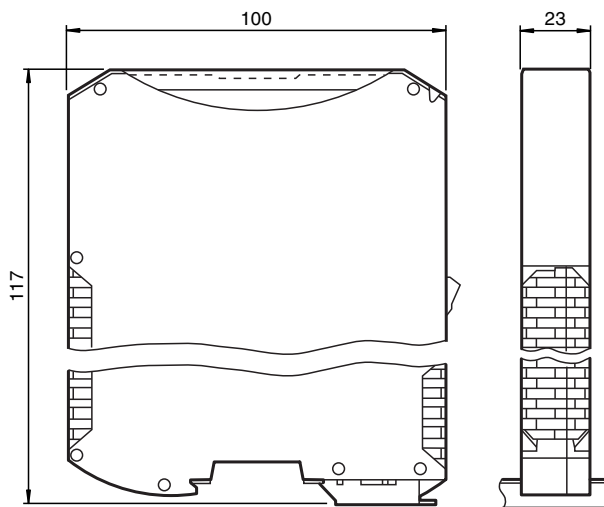
## WCS interface module WCS-PNG210

- Up to 4 read heads can be connected
- DIN rail mounting
- Ethernet interface with PROFINET
- Integrated switch

WCS-Interface module with PROFINET interface



### Dimensions



### Technical Data

| General specifications               |                   |                              |  |
|--------------------------------------|-------------------|------------------------------|--|
| Installation                         | DIN rail mounting |                              |  |
| Functional safety related parameters |                   |                              |  |
| MTTF <sub>d</sub>                    | 180 a             |                              |  |
| Mission Time (T <sub>M</sub> )       | 20 a              |                              |  |
| Diagnostic Coverage (DC)             | 0 %               |                              |  |
| Electrical specifications            |                   |                              |  |
| Operating voltage                    | U <sub>B</sub>    | 10 ... 30 V DC               |  |
| Power consumption                    | P <sub>0</sub>    | ≤ 3.6 W (without read heads) |  |
| Interface 1                          |                   |                              |  |

Release date: 2020-03-24 Date of issue: 2020-09-30 Filename: 247049\_eng.pdf

Refer to "General Notes Relating to Pepperl+Fuchs Product Information".

Pepperl+Fuchs Group  
www.pepperl-fuchs.com

USA: +1 330 486 0001  
fa-info@us.pepperl-fuchs.com

Germany: +49 621 776 1111  
fa-info@de.pepperl-fuchs.com

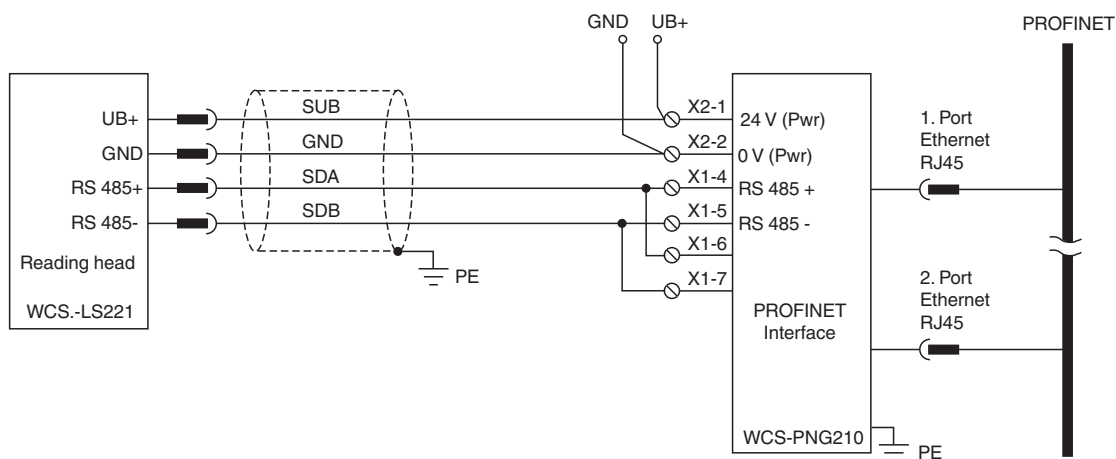
Singapore: +65 6779 9091  
fa-info@sg.pepperl-fuchs.com

 PEPPERL+FUCHS

**Technical Data**

|                                   |  |
|-----------------------------------|--|
| Connection of                     | control system   |
| Interface type                    | Ethernet; 100 BASE-TX  |
| Protocol                          | PROFINET IO  |
| Transfer rate                     | 100 MBit/s   |
| Data output format                | binary code  |
| <b>Interface 2</b>                |  |
| Connection of                     | control system   |
| Interface type                    | Ethernet; 100 BASE-TX  |
| Protocol                          | PROFINET IO  |
| Transfer rate                     | 100 MBit/s   |
| Data output format                | binary code  |
| <b>Interface 3</b>                |  |
| Interface type                    | For WCS-LS121 and WCS-LS221 readers<br>Switchable terminator<br>Update cycle of reader: 1 ms           |
| Physical                          | RS-485   |
| Protocol                          | half duplex  |
| Transfer rate                     | 62.5 Bit/s   |
| <b>Standard conformity</b>        |  |
| Emitted interference              | EN 55011, cl. A: 2007  |
| Noise immunity                    | EN 61000-6-2:2005  |
| <b>Approvals and certificates</b> |  |
| EAC conformity                    | TR CU 020/2011   |
| CCC approval                      | CCC approval / marking not required for products rated ≤36 V   |
| <b>Ambient conditions</b>         |  |
| Operating temperature             | 0 ... 55 °C (32 ... 131 °F) , no moisture condensation   |
| Storage temperature               | -40 ... 70 °C (-40 ... 158 °F)   |
| Relative humidity                 | ≤ 80 %   |
| <b>Mechanical specifications</b>  |  |
| Connection type                   | Interface 1 & 2: RJ-45 socket, 8-pin<br>Interface 3: terminal connection ≤ 2.5 mm <sup>2</sup> , 5-pin |
| Housing width                     | 23 mm  |
| Housing height                    | 118 mm   |
| Degree of protection              | IP20   |
| Material                          | plastic  |
| Installation position             | any position   |
| Mass                              | approx. 200 g  |

**Connection**



Release date: 2020-03-24 Date of issue: 2020-09-30 Filename: 247049\_eng.pdf

Refer to "General Notes Relating to Pepperl+Fuchs Product Information".