

696722-1 ✓ ACTIVE

## SOLISTRAND

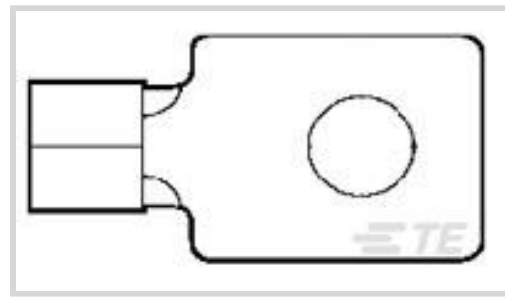
TE Internal #: 696722-1

Ring Terminals & Spade Terminals, Ring Tongue, 8AWG Wire Size,  
10.5 – 16.8mm<sup>2</sup> Wire Size, 13100 – 20800CMA Wire Size, M4 / #8

[View on TE.com >](#)



Terminals & Splices > Ring Terminals & Spade Terminals



Terminal & Splice Type: **Ring Tongue**

Wire Size: **13100 – 20800 CMA**

Ring & Spade Stud Size: **#8, M4**

### Features

#### Product Type Features

Terminal Features	Sheared
Shape Description	RING-089
Ring & Spade Stud Size	#8, M4
Ring & Spade Barrel Type	Closed Barrel
Sealable	No
Insulated	No
Ring & Spade Wire/Cable Type	Regular Wire
Support Style	Insulation Support

#### Configuration Features

Number of Holes	1
Terminal Angle	Straight

#### Body Features

Inspection Slot	No
Weight per Piece	3.413 g
Ring & Spade Plating Material	Copper, Nickel

#### Contact Features

Terminal & Splice Type	Ring Tongue
Ring & Spade Terminal Orientation	Flag

#### Mechanical Attachment

Wire Insulation Support	Without
-------------------------	---------



### Dimensions

Wire Size	13100 – 20800 CMA
Stud Diameter	4.34 mm[.171 in]
Tongue Thickness	1.22 mm[.048 in]
Ring & Spade Overall Length	20.09 mm[.791 in]
Barrel Inside Diameter	4.57 mm[.18 in]

### Usage Conditions

Insulation Requirement	Uninsulated
Operating Temperature Range	343 °C[649 °F]

### Operation/Application

Heavy Duty	No
------------	----

### Industry Standards

Government Qualified	No
----------------------	----

### Packaging Features

Packaging Quantity	100
Ring & Spade Packaging Method	Loose Piece

### Product Compliance

[For compliance documentation, visit the product page on TE.com>](#)

EU RoHS Directive 2011/65/EU	Compliant
EU ELV Directive 2000/53/EC	Compliant
China RoHS 2 Directive MIIT Order No 32, 2016	No Restricted Materials Above Threshold
EU REACH Regulation (EC) No. 1907/2006	Current ECHA Candidate List: JAN 2021 (211) Candidate List Declared Against: JAN 2021 (211) Does not contain REACH SVHC
Halogen Content	Low Halogen - Br, Cl, F, I < 900 ppm per homogenous material. Also BFR/CFR/PVC Free
Solder Process Capability	Not applicable for solder process capability

#### Product Compliance Disclaimer

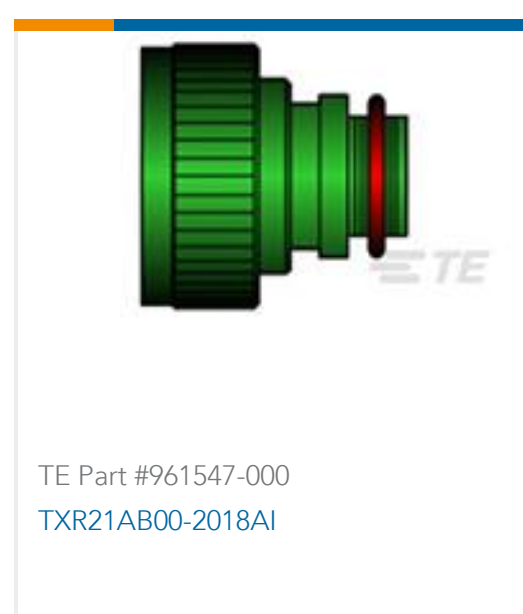
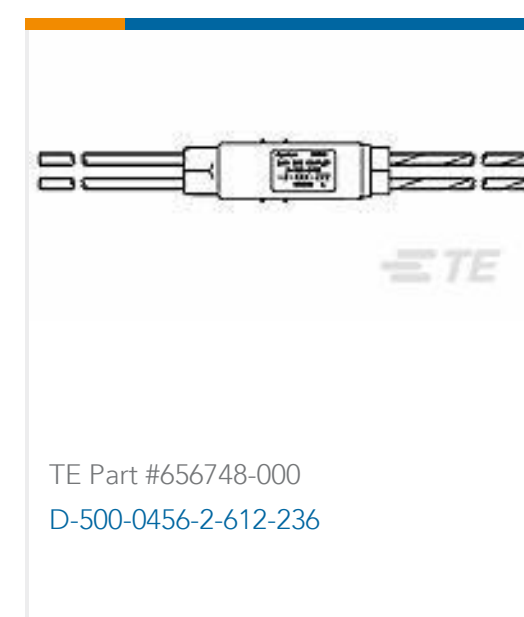
This information is provided based on reasonable inquiry of our suppliers and represents our current actual knowledge based on the information they provided. This information is subject to change. The part numbers that TE has identified as EU RoHS compliant have a maximum concentration of 0.1% by weight in homogenous materials for lead, hexavalent chromium, mercury, PBB, PBDE, DBP, BBP, DEHP, DIBP, and 0.01% for cadmium, or qualify for an exemption to these

limits as defined in the Annexes of Directive 2011/65/EU (RoHS2). Finished electrical and electronic equipment products will be CE marked as required by Directive 2011/65/EU. Components may not be CE marked. Additionally, the part numbers that TE has identified as EU ELV compliant have a maximum concentration of 0.1% by weight in homogenous materials for lead, hexavalent chromium, and mercury, and 0.01% for cadmium, or qualify for an exemption to these limits as defined in the Annexes of Directive 2000/53/EC (ELV). Regarding the REACH Regulation, the information TE provides on SVHC in articles for this part number is based on the latest European Chemicals Agency (ECHA) 'Guidance on requirements for substances in articles' posted at this URL: <https://echa.europa.eu/guidance-documents/guidance-on-reach>

## Compatible Parts



## Customers Also Bought



## Documents



## Product Drawings

### STRATO-THERM, FLAG R 8 8 NIPL

English

---

## CAD Files

### 3D PDF

3D

#### Customer View Model

[ENG\\_CVM\\_CVM\\_696722-1\\_A.2d\\_dxf.zip](#)

English

#### Customer View Model

[ENG\\_CVM\\_CVM\\_696722-1\\_A.3d\\_igs.zip](#)

English

#### Customer View Model

[ENG\\_CVM\\_CVM\\_696722-1\\_A.3d\\_stp.zip](#)

English

By downloading the CAD file I accept and agree to the [Terms and Conditions](#) of use.

---

## Datasheets & Catalog Pages

### RADIATION\_RESISTANT\_PRE-INSULATED\_TERMINALS\_SPLICES

English