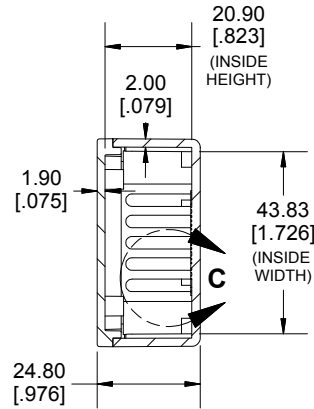
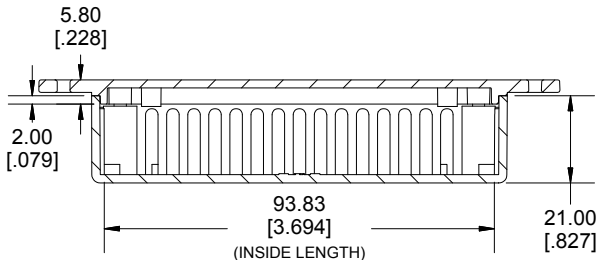
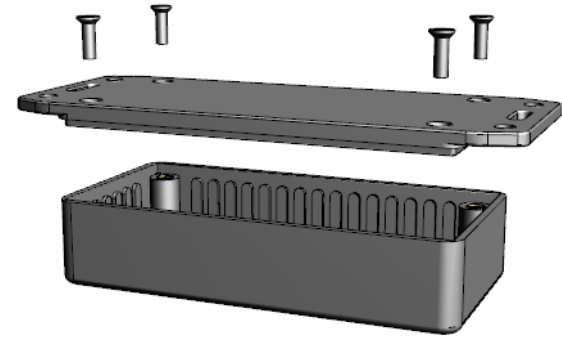


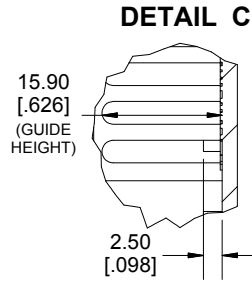
TOP VIEW



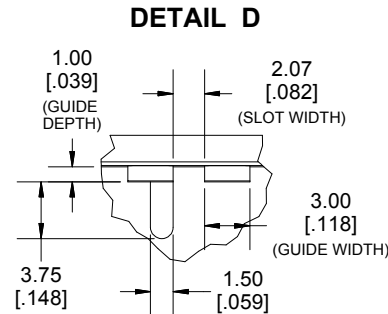
SECTION A-A



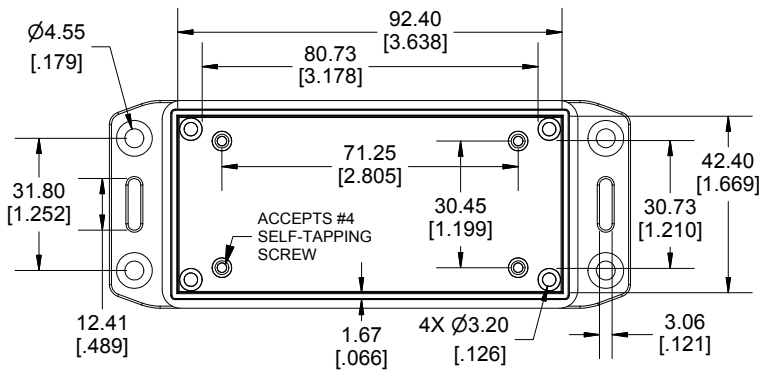
**SECTION B-B
SIDE VIEW**



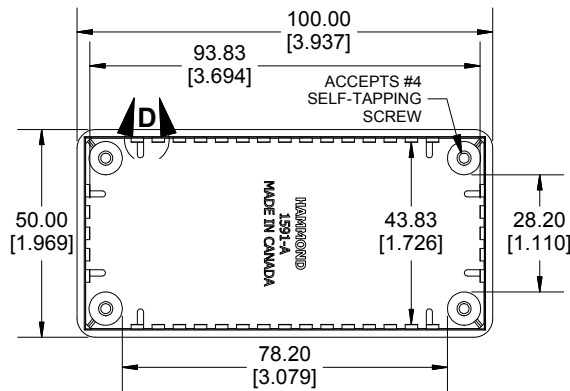
DETAIL C



DETAIL D



INSIDE LID



INSIDE BOX

Enclosures can be Factory Modified (Milling, Drilling, Printing etc.)
Contact Factory mjm@hammondmfg.com for quotes
Solid models of this enclosure available in STEP or IGES.

| NOTE | |
|---|--|
| Purchased assembly includes box, lid and 4 cover screws Enclosure made from GPABS. | |
| Recommended Torque: 42-57 ozf.in (30-40 cN.m) | |

| PART NUMBERS | |
|---------------------------------|---------------------|
| 1591A Enlosure | |
| General Perpose ABS Black | 1591ASFLBK |
| Accessories | |
| Plated Cover screw | 1591TS100 (Silver) |
| #4 X 1/2" (100Pkg) Self-Tapping | 1591TS100BK (Black) |
| P.C Board screws for Lid | 1593ATS50 (50Pkg) |
| #4 X 1/4" (6.4mm) Self-Tapping | 1593ATS100 (100Pkg) |
| PC Board Card Adapters | 1591Z6 (6Pkg) |
| | 1591Z50 (50 Pkg) |
| | 1591Z100 (100Pkg) |
| Nylon Belt / Pocket clip | 1599CLIP (Black) |
| | 1599CLIPGY (Grey) |

Dimensions:
mm
[inches]

**HAMMOND
MANUFACTURING®**
1591ASFL
www.hammondmfg.com