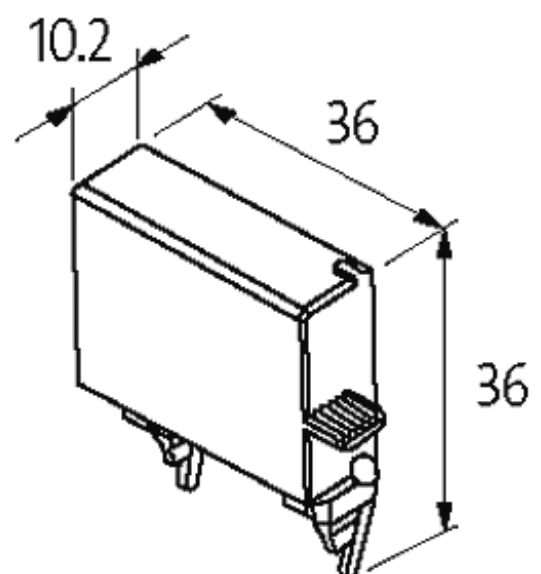
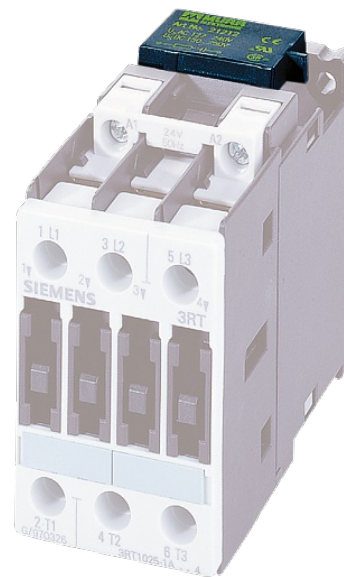


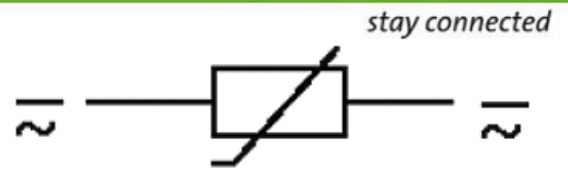
SIEMENS CONTACTOR SUPPRESSOR

Varistor, 230VAC/DC

230 V AC/DC
VDR

For other configurations and voltages, please inquire

[Link to Product](#)**Illustration**



VDR

Product may differ from Image

Approvals



Appropriate contactors

3 RT 10.24/25/26

3 RT 1.3/1.4

Technical Data

Damping factor	approx. 1.5 × UN
Material	Flame retardant plastic acc. to (UL 94)
Connection wires	Plug contact

General data

Dimensions H × W × D	36×36×10.2 mm
Temperature range	-20...+70 °C

Commercial data

country of origin	CZ
customs tariff number	85363010
minimum order quantity	1