

Plastic Fiber-Optic Cable

Through-Beam Mode

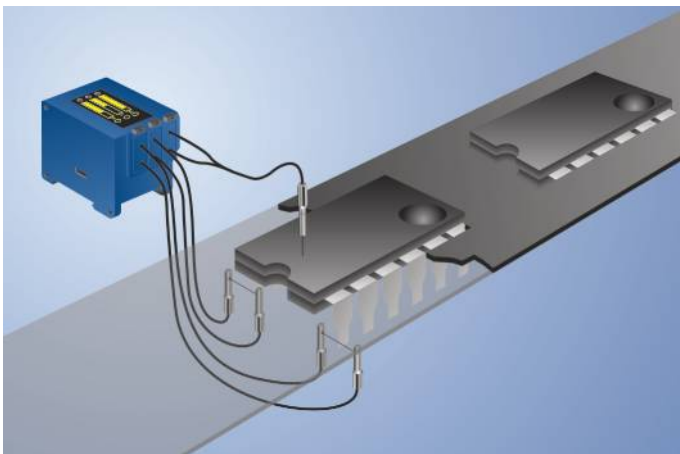
K18

Part Number



- Especially suitable in applications where only minimal space is available
- Fiber-optic cable can be cut to length by the cutting tool

The plastic fiber-optic cables are very flexible and can be especially used in applications where minimal space is available. Plastic fiber-optic cables are provided in standard length of 2 meters. Special lengths up to 50 meters are available as well. Plastic fiber-optic cables can be cut to length by the user with the help of the cutting tool Z0015.



Technical Data

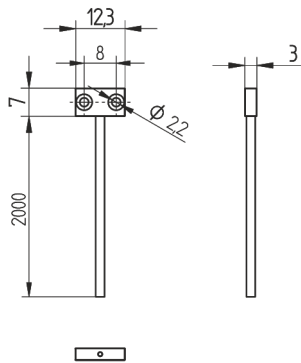
Optical Data

| | |
|------------------------|----------------------|
| Fiber Core Diameter | 1 mm |
| Fiber Core | PMMA |
| Fiber | Step Index |
| Fiber Distribution | parallel arrangement |
| Range with Sensor Type | 350 mm |
| Opening Angle | 55 ° |

Mechanical Data

| | |
|---------------------|-------------|
| Temperature Range | -40...85 °C |
| Bending Radius | 20 mm |
| Fiber-Optic Length | 2 m |
| Jacket Material | PE (black) |
| Material End Sleeve | Aluminum |
| Jacket Diameter | 2,2 mm |
| Light Emission | straight |

K18



All dimensions in mm (1 mm = 0.03937 Inch)

