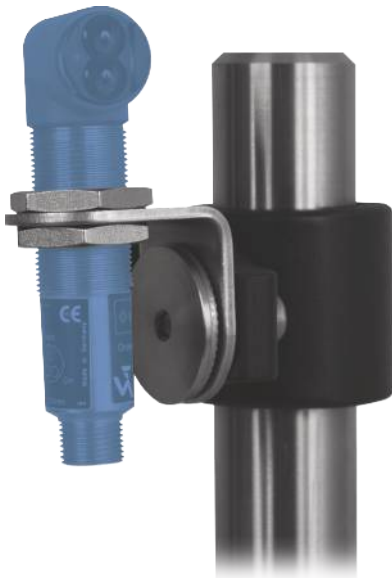


Mounting System for M18 × 1

W18S30KU

Part Number



Technical Data

Mechanical Data

Material Mounting Head	Plastic PA
Material Mounting Plate	Stainless Steel V2A
for Round Profile Diameter	30 mm
Packaging unit	1 Piece
Mounting Number	150

- Flexible alignment possibilities
- For M18 × 1
- Plastic
- Simple installation

The mounting system allows to adjust sensors and reflectors and to turn them around 360 degrees in horizontal and vertical direction.

