

# Dial Snap Meters

## SERIES 523

### FEATURES

- Direct go/no-go judgment for mass-produced parts.
- Spindle diameter: .425" / 10.8mm
- IP protection level: 54
- Supplied in fitted plastic case.



523-131

### SPECIFICATIONS

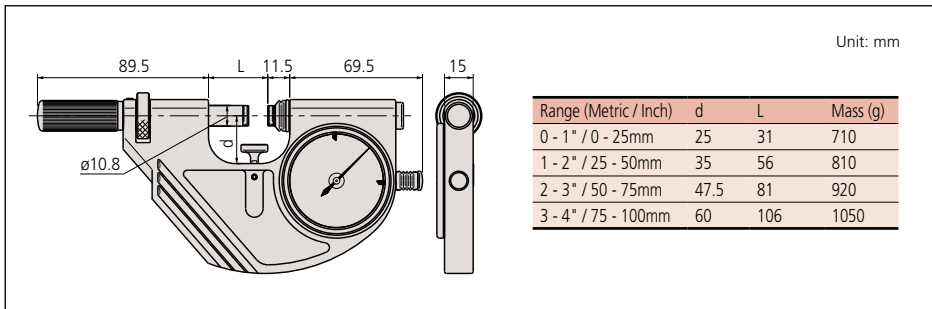
#### Metric

Range	Graduation	Order No.	Indicating range
0 - 25mm	0.001mm	<b>523-121</b>	±0.060mm
25 - 50mm	0.001mm	<b>523-122</b>	±0.060mm
50 - 75mm	0.001mm	<b>523-123</b>	±0.060mm
75 - 100mm	0.001mm	<b>523-124</b>	±0.060mm

#### Inch

Range	Graduation	Order No.	Indicating range
0 - 1"	.00005"	<b>523-131</b>	±.0023"
1 - 2"	.00005"	<b>523-132</b>	±.0023"
2 - 3"	.00005"	<b>523-133</b>	±.0023"
3 - 4"	.00005"	<b>523-134</b>	±.0023"

### DIMENSIONS AND MASS



### Technical Data

Dial indication accuracy: .00005" / 1µm  
 Indication repeatability: .00002" / 0.4µm  
 Dial reading: .00005" or 0.001mm  
 Flatness: .000012" / 0.3µm  
 Parallelism: .000024" / 0.6µm for models up to 2" / 50mm  
 .00004" / 1µm for models over 2" / 50mm  
 Measuring force: 5 - 10N (500 - 1000gf)  
 Measuring faces: Carbide tipped