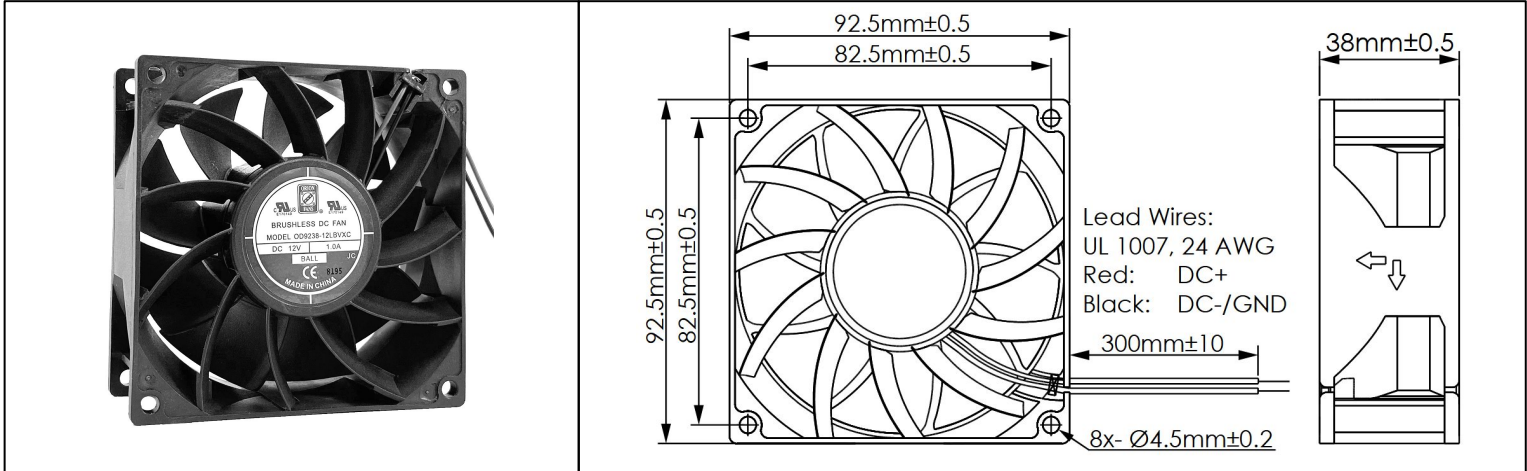


OD9238 VXC High Performance Series



DC Fans - 12, 24, 48V
92mm x 38mm (3.62" x 1.5")



Frame	PBT, UL94 V-0 Plastic	Operating Temperature -10°C ~ +70°C Storage Temperature -40°C ~ +80°C Life Expectancy 70,000 Hours (L10 at 40°C) Available Options: Tachometer Output PWM Speed Control Input Alarm Output IP Ratings Super High Speeds Weight: 0.47 lbs	
Impeller	PBT, UL94 V-0 Plastic		
Connection	2x Lead Wires, 24 AWG		
Motor	Brushless DC, Auto Cutoff, Auto Restart, Electronically Protected, Polarity Protected		
Bearing System	Ball Bearings		
Dielectric Strength	500VDC/min, <1mA		
Insulation Resistance	≥10M Ohm @ 500 VDC		

Part Number	Rated Voltage (Volts DC)	Voltage Range (Volts DC)	Input Power (Watts)	Rated Current (Amps)	Rated Speed (RPM)	Max Airflow (CFM)	Noise Level (dB)	Max Static Pressure ("H ₂ O)
OD9238-12HBVXC	12	8 ~ 13.8	24.0	2.00	5400	125	62	0.74
OD9238-12MBVXC	12	8 ~ 13.8	18.0	1.50	4800	104	58	0.56
OD9238-12LBVXC	12	8 ~ 13.8	12.0	1.00	4400	96	56	0.48
OD9238-24HBVXC	24	22 ~ 25	22.8	0.95	5400	125	62	0.74
OD9238-24MBVXC	24	22 ~ 25	16.8	0.70	4800	105	58	0.56
OD9238-48HBVXC	48	44 ~ 50	21.6	0.45	5400	125	62	0.74