

Index Plungers · with mounting flange, horizontal, stainless steel

22110.2330



Product Description

Index plungers are used for indexing bores.

Material

Housing

- Stainless steel 1.4308, precision casting, bright, matt blasted

Locking pin

- Stainless steel 1.4305

Knob

- Thermoplastic PA 6, black, dull

Assembly

Assembly by means of washers ISO 7092.

Operation

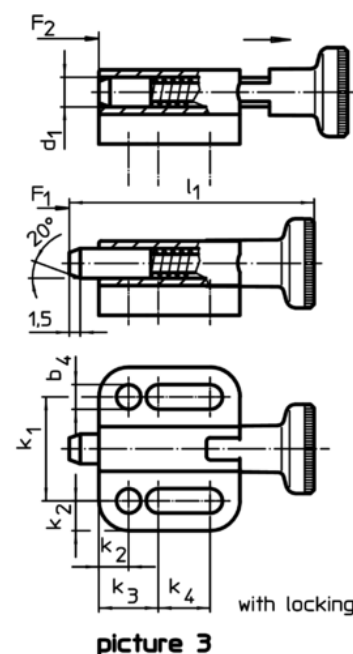
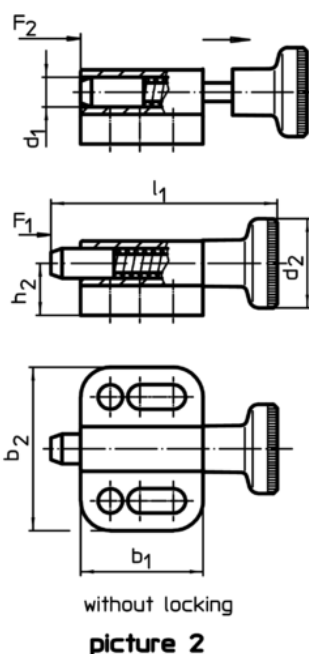
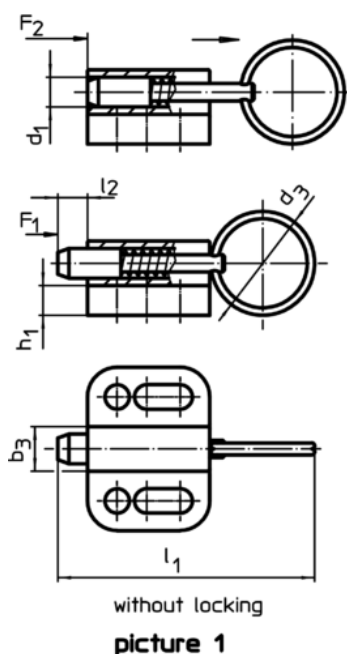
When using locking index plungers, the knob is pulled-out, turned 90° and secured by a notched catch (when locking pin should not overhang).

More information

Notes

Knob not removable.

Drawing



Order information

Dimensions														Spring load ¹⁾		Temperature		Weight [g]	Art. No.	
d ₁	d ₂	b ₁	b ₂	b ₃	b ₄	h ₁	h ₂	k ₁	k ₂	k ₃	k ₄	l ₁	l ₂	F ₁	F ₂	min.	max.			
h11					-0.2			±0.05					min.	~	~	[N]	[°C]			
with knob, without locking – picture 2																				
10	25	35	39	14.5	6.5	6	14.5	27	6	15	13.5	67.5	10	4	25	-30	80	99	22110.2330	

¹⁾ statistical average value

Compliance

RoHS compliant

Compliant according to Directive 2011/65/EU and Directive 2015/863

Does not contain SVHC substances

No SVHC substances with more than 0.1% w/w contained - SVHC list [REACH] as of 10.06.2022

Does not contain Proposition 65 substances

No Proposition 65 substances included
<https://www.P65Warnings.ca.gov/>

Free from Conflict Minerals