

## Line laser, red, 635 nm, 90 °, 5 mW

LC635-5-3-F(16x65)  
Order Number: 70109276

Main Parameters (*)	min	typ	max	Unit
Wavelength		635		nm
Optical Output Power		5		mW
Operating Voltage	2.4	3	3	V DC
Operating Current		60		mA
Operating Temperature	-20		50	°C
Storage Temperature	-40		80	°C

### Main Data

Warranty 1 years

### Technical Parameters

Lifetime > 5,000 h  
RoHS yes

### Optical Parameters

Beam Shape	Line
Laser Class	2M
Divergence	C - 0.4 mrad
Fan Angle	90 °
Optics	glass lens AR coated
Laser technology	diode

### Electrical Parameters

Potential of Housing VDD(+)

### Mechanical Parameters

Size	Ø16x65 mm
Material	aluminium
Cable length	100 mm
Weight	18 g

(\*) Over the complete operating temperature range

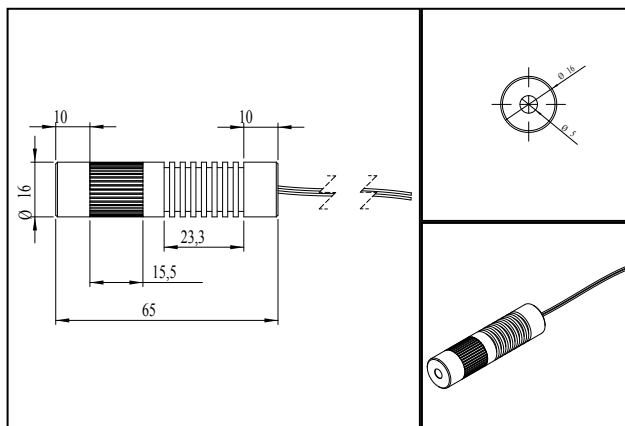
## Features



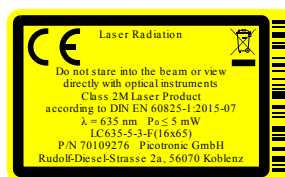
## Picture



## Drawing



## Safety Label



## Valid Revision

2 | 24-SEP-2020