

S2-B

Socket for 8-pin Relays and Time Cubes

Rated Load **10 A / 300 V**

Specifications

Rated impulse withstand voltage	2.5 kV rms / 1 min
- All terminals / DIN rail	2.5 kV rms / 1 min
- Terminal / Terminal	
Cross-section of connecting wire	
- Single-wire	4 mm ² / AWG 12 or 2 x 2.5 mm ² / AWG 14
- Multi-wire	0.34 mm ² / AWG 22 - 2.5 mm ² / AWG 14
Nominal screw torque	0.7 Nm
Screw Dimensions (mm)	M3 Pozi slot
Mounting	TS-35 or Back Panel Mounting
Ambient temperature operation / storage	-40...60 °C / -40 ... 80 °C (no ice)
Weight	48g

Included Accessories

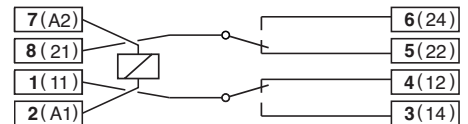
Retaining Clip, plastic S30-CM for C2 / C2x Relays

Optional Accessories

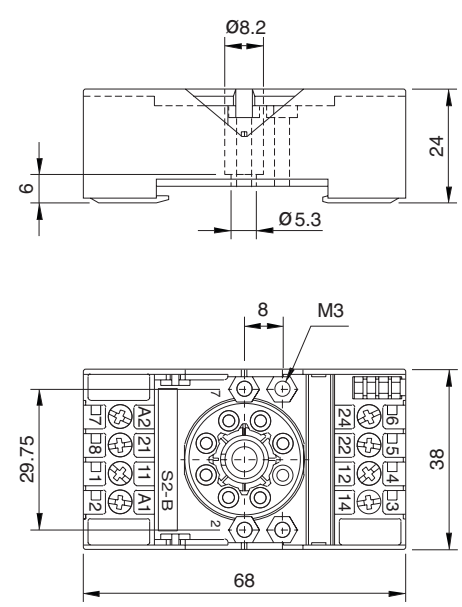
Retaining clip, steel HF-32 (BAG 10 PCS) for C2 / C2x Relays
HF-33 (BAG 10 PCS) for Time Cube CTx



Connection diagram



Dimensions (mm)



Technical approvals, conformities



Socket Selection for industrial Relays																									
Socket Type	Description	C2	C3	C4	C5	C7	C9	C10	C12	C16PTL / C18PTL	C18-A15PT	C21	C22	C31	C32	R7	R-Module	CS2 / CS3 / C64	C55 / C56	C83 / C85	CT2	CT3	CT32 / CT33 / CT36	CT515 / CT524	KDM
EC-11	Socket for industrial Relay		●											●	●										
S2-B	Socket for industrial Relay	●																				●			
S2-S *	Socket for industrial Relay	●										●	●									●			
S2-L *	Socket for industrial Relay	●																				●			
S2-P *	Socket for industrial Relay	●																				●			
S2-P0 *	Socket for industrial Relay	●																				●			
S3-B	Socket for industrial Relay		●											●	●			●	●				●		
S3-MP	Socket for industrial Relay		●											●	●			●	●				●		
S3-S	Socket for industrial Relay		●											●	●			●	●				●		
S3-P *	Socket for industrial Relay																	●	●				●		
S3-P0 *	Socket for industrial Relay																	●	●				●		
S3-M0	Socket for industrial Relay		●											●	●		●						●	●	
S3-M1	Socket for industrial Relay		●											●	●			●	●				●		
S3-M	Socket for industrial Relay		●											●	●			●	●				●		
S4-J	Socket for industrial Relay			●																					
S4-L	Socket for industrial Relay			●																					
S4-P	Socket for industrial Relay			●																					
S5-M	Socket for industrial Relay				●												●						●	●	
S5-L	Socket for industrial Relay				●																				
S5-P	Socket for industrial Relay																								
S7-C	Socket for industrial Relay					●											●	●			●				●
S7-I0	Socket for industrial Relay					●											●	●							
S7-16	Socket for industrial Relay					●											●	●							
S7-P *	Socket for industrial Relay					●											●								
S7-L *	Socket for industrial Relay					●											●								
S9-M	Socket for industrial Relay						●																		
S9-P	Socket for industrial Relay						●																		
S9-L *	Socket for industrial Relay						●																		
S9-P0	Socket for industrial Relay																								
S10	Socket for industrial Relay							●																	
S10-P	Socket for industrial Relay							●																	
S12	Socket for industrial Relay								●																
S12-P	Socket for industrial Relay								●																
S16-M	Socket for industrial Relay									●								●							
S18-M	Socket for industrial Relay										●							●							

* Discontinued, limited units may be still available from stock.

Socket Accessoires																	
Type	Description	S3-M	S3-M0	S3-M1	S2-B	S3-B	S5-M	S7-C	S10	S7-I0	S12	S9-M	S4-J	S7-L	S7-P	S9-L	S9-P
CA-11	Code Ring (BAG 5 PCS)					●											
C-A2	Neutral-Connector (BAG 5 PCS or 50 PCS)	●	●	●			●										
SC-3	A1-Connector (BAG 10 PCS)		●	●			●										
LH-1	Label carrier transparent (BAG 5 PCS)	●	●	●													
SL-36	Label holder transparent (BAG 5 PCS)				●	●											
SP-36	Labeling strips (BAG 5 PCS)				●	●											
L-16	Labeling strips (BAG 5 PCS)	●	●	●													
SD-1T	Lock lid transparent (BAG 5 PCS)	●	●	●			●										
SD-1W	Lock lid white (BAG 5 PCS)	●	●	●			●										
B20-G	Bridge Bar grey (BAG 5 PCS)										●						
B20-R	Bridge Bar red (BAG 5 PCS)										●						
B20-A	Bridge Bar blue (BAG 5 PCS)										●						
PS-W	Labeling strips							●									
S7-BB	Bridge bar (BAG 5 PCS (5 x 4))							●		●							
S9-CH	Labeling srib white (BAG 10 PCS)									●		●					
S10-BB	Bridge bar (BAG 20 PCS (5 x 4))								●								
S10-RH	Labeling srib white (BAG 10 PCS)								●		●						
S10-RT	Transparent Cover (BAG 20 PCS)								●								
SA-0	Wall Adapter							●	●		●						
SS-T	Transparent Cover							●									
SS-W	White Cover							●									
V10-G	Bridge Bar grey (BAG 5 PCS)										●						
V10-R	Bridge Bar red (BAG 5 PCS)										●						
V10-A	Bridge Bar blue (BAG 5 PCS)										●						
V40-G	Bridge Bar grey (BAG 5 PCS)										●						
V40-R	Bridge Bar red (BAG 5 PCS)										●						
V40-A	Bridge Bar blue (BAG 5 PCS)										●						

Retaining clip selection for socket and relay

Socket type	Made in	C2 ESP	C2 ESP + CT2	C2 IND	C2 IND + CT2	C3 ESP	C3 ESP + CT3	C3 IND	C3 ESP + CT3	C4 ESP	C4 CN	C5 ESP	C5 CN	C7 ESP	C7 CN	C9 ESP	C9 CN	C10 ESP	C10 CN	C10 IND	C12 ESP	C12 IND	C16PTL / C18PTL	C18-ASP1	C21	C21 + CT2	C22	C22 + CT2	C31	C31 + CT3	C32	C32 + CT3	R3 ESP	R3 IND	R7 ESP	R7 CN	
EC-8	ESP	S3-C	HF-32			S3-C	HF-32																														
EC-11	CN																																				
S2-B, S2-S	CN	S3-OM CP-15B S3-C	S3-OM HF-32	S3-CT																																	
S20-B	ESP	S3-OM CP-15B S3-C	S3-OM HF-32	S3-CT																																	
S2-L, S2-P, S2-PO	ESP	S3-C	HF-32																																		
S3-B	CN																																				
S30-B	ESP	S3-OM CP-15B S3-C	S3-OM HF-32	S3-CT																																	
S3-MP	ESP	S3-OM CP-15B S3-C	S3-OM HF-32	S3-CT																																	
S3-S	CN																																				
S3-L, S3-P, S3-PO	ESP	S3-C	HF-32																																		
S3-M0	ESP	S3-C	HF-32	S3-CT																																	
S4-J	CN	S3-OM CP-15B S3-C									S3-OM CP-15B S3-C																										
S4-L, S4-P, S4-PO	ESP	S4-CL									S4-CL																										
S5-S	ESP																																				
S5-M	CN																																				
S7-C	CN																																				
S7-H0	ESP																																				
S7-H0	CN																																				
S7-16	ESP																																				
S7-P																																					
S7-L, S7-PO	ESP																																				
S9-M	CN																																				
S9-P																																					
S9-L, S9-PO	ESP																																				
S10	CN																																				
S10-P	CN																																				
S12	CN																																				
S12-P	ESP																																				
S16-M	CN																																				
S18-M	CN																																				