

San Ace 92 S type DC Fan

Features

Low noise and low vibration

- Reduced sound pressure level by about 5 dB.*
- Reduced vibration by about 50% compared with our conventional products.*
- Reduced switching noise audible at low speed.

* Our conventional product is the DC cooling fan :
92mm square x 25mm thick fan " San Ace 92 " (9A0912M402)



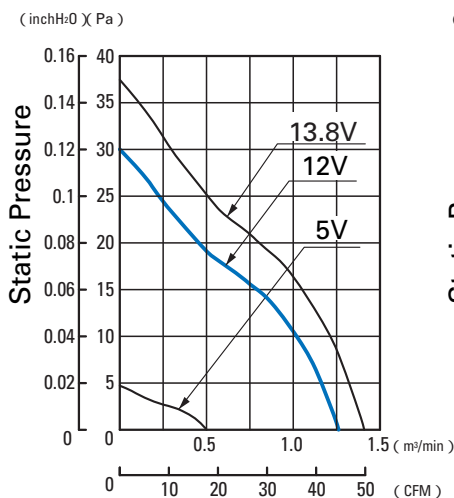
92mm square x 25mm thick

Specifications

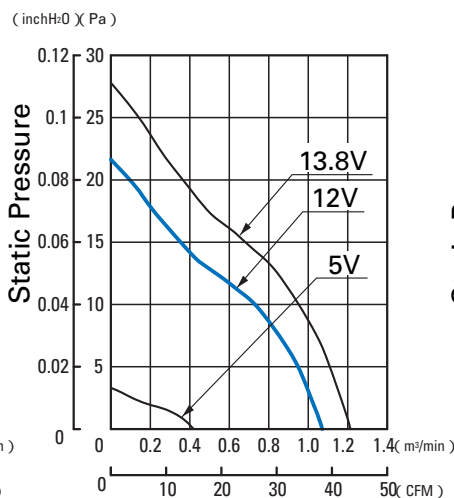
Model No.	Rated Voltage (V)	Operating Voltage Range (V)	Rated Current (A)	Rated Input (W)	Rated Speed (min ⁻¹)	Air Flow (m ³ /min) (CFM)	Static Pressure (Pa) (inchH ₂ O)	SPL (dB[A])	Operating Temperature Range (°C)	Life Expectancy (h)
9S0912F402(4021)	12	5.0 to 13.8	0.14	1.68	2,650	1.26 44.5	30.0 0.120	27	- 10 to + 70	40,000
9S0912M402(4021)			0.11	1.32	2,250	1.07 37.8	21.6 0.087	22		
9S0912L402(4021)		6.0 to 13.8	0.07	0.84	1,750	0.83 29.3	13.1 0.053	17		

The numbers in () represent ribless models.

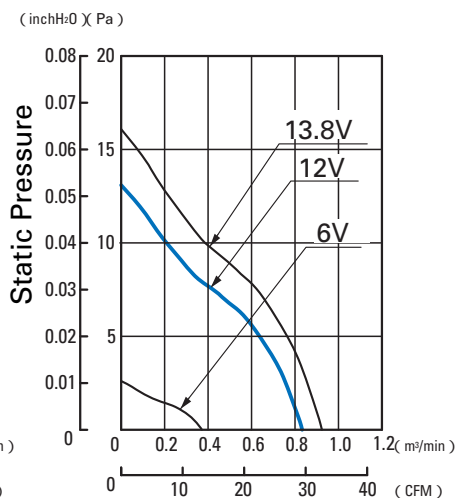
Air Flow and Static Pressure Characteristics



9S0912F402(4021)



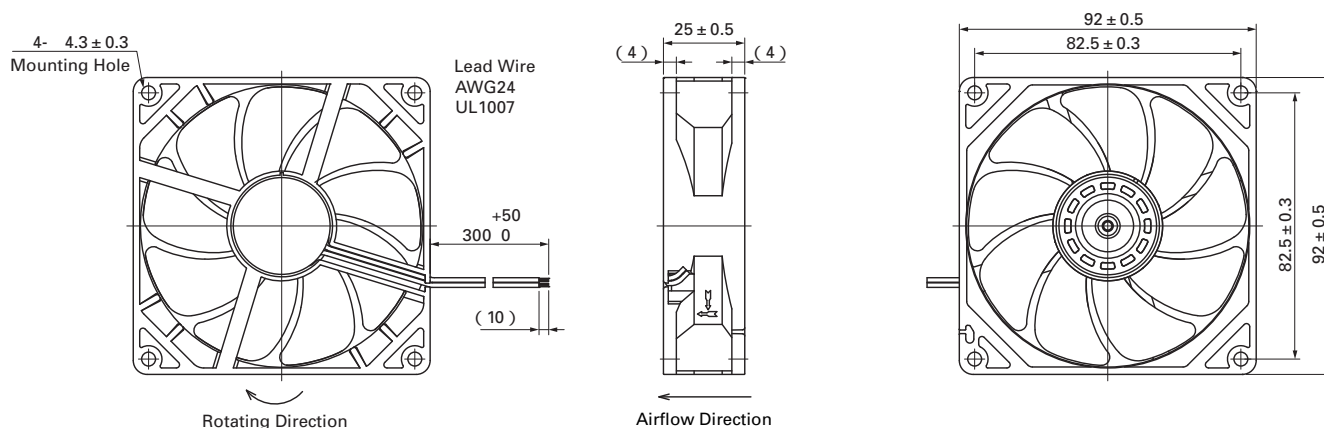
9S0912M402(4021)



9S0912L402(4021)

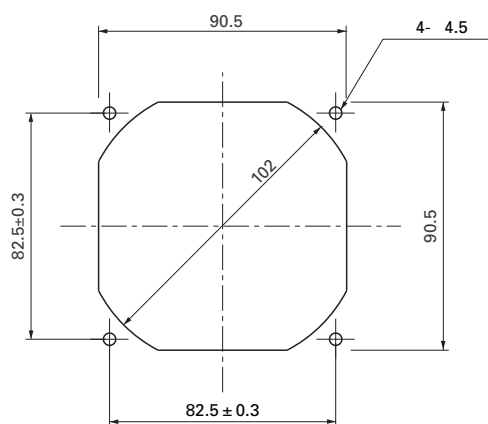
92mm

Dimensions (unit : mm)



Reference dimension of mounting holes and vent opening (unit : mm)

Air inlet side · Air outlet side



Common Specifications

Material	Frame: Plastics (Flammability: UL94V-0), Impeller: Plastics (Flammability: UL94V-1)
Life Expectancy	Varies for each model (L10: Survival rate: 90% at 60°C, rated voltage, and continuously run in a free air state)
Motor Protection System	Current blocking function and Reverse polarity protection
Dielectric Strength	50/60 Hz, 500VAC, 1 minute (between lead conductor and frame)
Sound Pressure Level (SPL)	Expressed as the value at 1m from air inlet side
Operating Temperature Range	Varies for each model (Non-condensing)
Lead Wire	+ red - black
Mass	100g

Notice

The products shown in the catalog are subject to Japanese Export Control Law. Diversion contrary to the law of exporting country is prohibited.
To protect against electrolytic corrosion that may occur in locations with strong electromagnetic noise, we provide fans that are unaffected by electrolytic corrosion.

SANYO DENKI CO., LTD. 1-15-1, Kita-otsuka, Toshima-ku, Tokyo 170-8451, Japan. PHONE : + 81 3 3917 5151 Home Page: <http://www.sanyodenki.co.jp>