

**Technical data // P25SMT 3 06 TR**

Rotary Code Switch

SMT Gull Wing Connection - Surface Mount Technology

**Highlights**

2.5 mm height

7.0 mm length

Lateral C-contact

Contacts with abrasion resistant hard gold plating

Solid, tinned PCB pins

**Mechanical Data**

Type	horizontal
Fixation mode	SMT
Height	2.5 mm
Length	7.0 mm
Width	7.0 mm
Pin connection	3+3 lateral C-contact
Torque	initial min. 0.7 Ncm
Mechanical lifetime	2.500 steps
Positions per rotation	10   16
Perm. ambient temperature	-50 °C ... +125 °C
Perm. storage temperature	-55 °C ... +135 °C
Shock and vibration testing	acc. IEC 60068
Humidity	21 days at 40 °C, 93 %RH
Reflow soldering	JDEC J-STD-020 E
Iron soldering	2 s / 340 °C

**Electrical Data**

Operating voltage	$\leq 42.0$ V
Standby current	$\leq 0.4$ A
Contact load, dynamic	$\leq 0.1$ A
Minimum load	1.0 $\mu$ A 20.0 mVDC
Test voltage	250.0 V 50 Hz / 1.0 min
Contact resistance	$< 80.0$ mOhm
Insulation resistance	$> 100.0$ MOhm



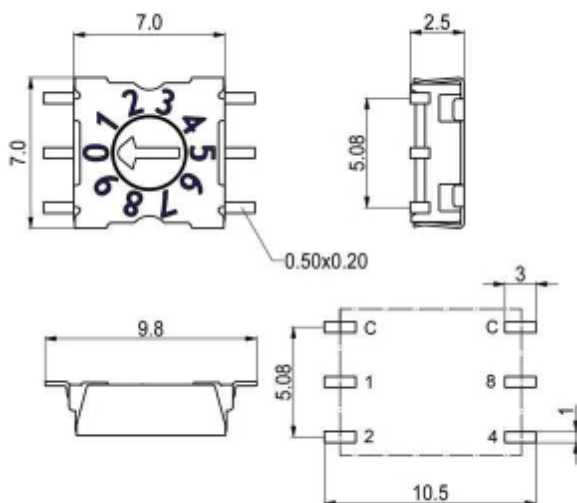
Technical data

**// P25SMT 3 06 TR**

Rotary Code Switch

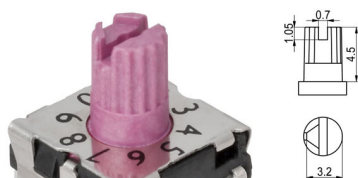
SMT Gull Wing Connection - Surface Mount Technology

Technical Drawing



Configuration

Actuators



Spindle



Technical data

// P25SMT 3 06 TR

Rotary Code Switch

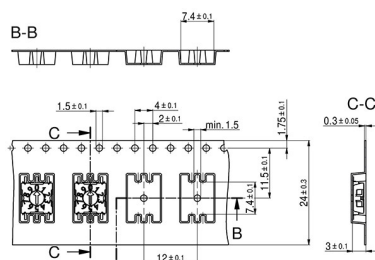
SMT Gull Wing Connection - Surface Mount Technology

Codes

Hexadezimal Compl.						
Typ 06						
	C	1	2	4	8	
0	●	●	●	●	●	0
1	●		●	●	●	●
2	●	●		●	●	2
3	●			●	●	●
4	●	●	●		●	4
5	●		●		●	●
6	●	●			●	6
7	●				●	●
8	●	●	●	●		8
9	●		●	●		●
10	●	●		●		A
11	●			●		●
12	●	●	●			C
13	●		●			●
14	●	●				E
15	●					●

Hexadecimal Complement,  
16

Packing



Tape on Reel Packing SMT1