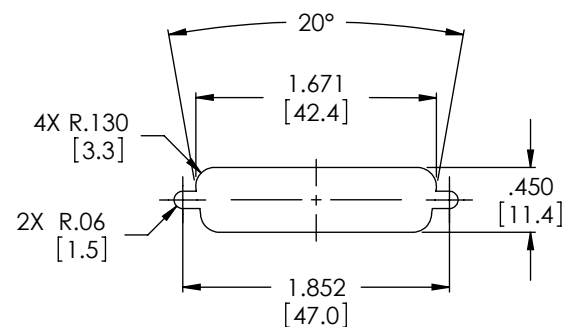
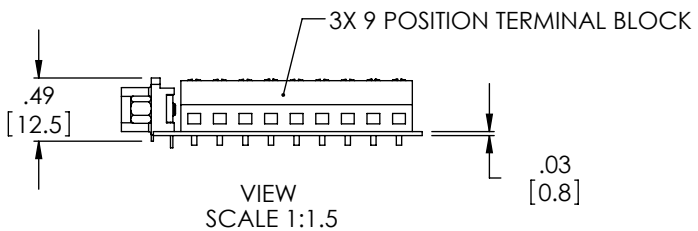
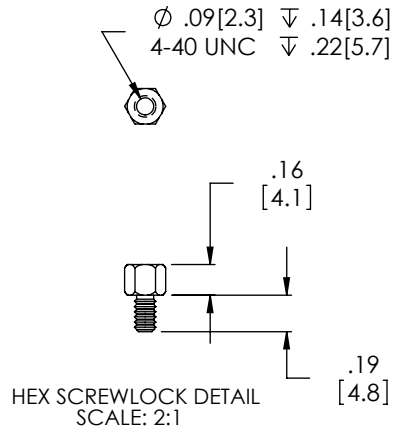
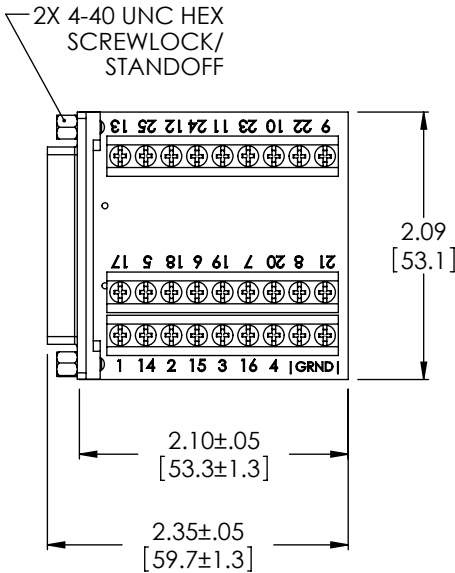
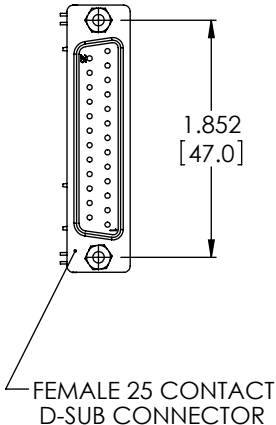


THE INFORMATION CONTAINED IN THIS DRAWING IS THE SOLE PROPERTY OF L-COM, INC. ANY REPRODUCTION IN PART OR WHOLE WITHOUT THE WRITTEN PERMISSION OF L-COM, INC. IS PROHIBITED.

REVISIONS			
REV	DESCRIPTION	DATE	APPROVED
I	PRELIMINARY RELEASE	2008.04.17	E. STAUBLE
A	INCREASED TOL. TO +/- .05 FOR 2.10 & 2.37 DIMS RELOCATED L-com TEXT	2008.05.12	S. SMITH
B	ECN 4308: ADDED VOLTAGE, AMP AND PACKAGING NOTES	10/12/09	D. FRISIELLO
C	ECN 5463: ADDED PANEL CUTOUT	4/26/11	D. CASTRO

WIRING TABLE

DB25		TERMINAL	
PIN #	BLOCK #	PIN #	BLOCK #
1	1	1	1
2	2	2	2
3	3	3	3
4	4	4	4
5	5	5	5
6	6	6	6
7	7	7	7
8	8	8	8
9	9	9	9
10	10	10	10
11	11	11	11
12	12	12	12
13	13	13	13
14	14	14	14
15	15	15	15
16	16	16	16
17	17	17	17
18	18	18	18
19	19	19	19
20	20	20	20
21	21	21	21
22	22	22	22
23	23	23	23
24	24	24	24
25	25	25	25
GROUND		26	



RoHS Compliant ✓

RECOMMENDED PANEL OPENING (MAX PANEL THICKNESS: 0.06")

NOTES:
 VOLTAGE: 1000V AC AND 500V DC.
 CURRENT RATING: 3 AMPS
 COMPONENT ASSEMBLY SHALL BE INDIVIDUALLY PACKAGED IN ACCORDANCE WITH L-COM PS-0031.

UNLESS OTHERWISE SPECIFIED, DIMENSIONS ARE IN INCHES [mm] OVERALL CABLE LENGTH TOLERANCE: ≤12 [305] = +1 [25] / -0 >12 [305] ≤60 [1524] = +2 [51] / -0 >60 [1524] ≤120 [3048] = +4 [102] / -0 >120 [3048] ≤300 [7620] = +6 [152] / -0 >300 [7620] = +3% / -0%	APPROVALS	DATE		45 BEECHWOOD DRIVE NORTH ANDOVER, MA 01845
	DRAWN BY E. STAUBLE	2008.04.14		CATEGORY
ALL OTHER DIMENSIONAL TOLERANCES: .X = ±.2 .XX = ±.02 .XXX = ±.005	CHECKED BY D. CASTRO	2008.04.15	PRODUCT DESCRIPTION	D-SUB FIELD TERMINATION ASSEMBLY
PROJECTION	APPROVED BY D. PARHAM	2008.04.15	CONFIGURATION DETAILS OF UNDIMENSIONED FEATURES MAY VARY	SIZE A FSCM NO. 43321 DWG. NO. DGB25FT REV. C
	COLOR VARIATIONS MAY OCCUR		SCALE: NONE	CAD FILE: DGB25FT.SLDDRW SHEET 1 OF 1