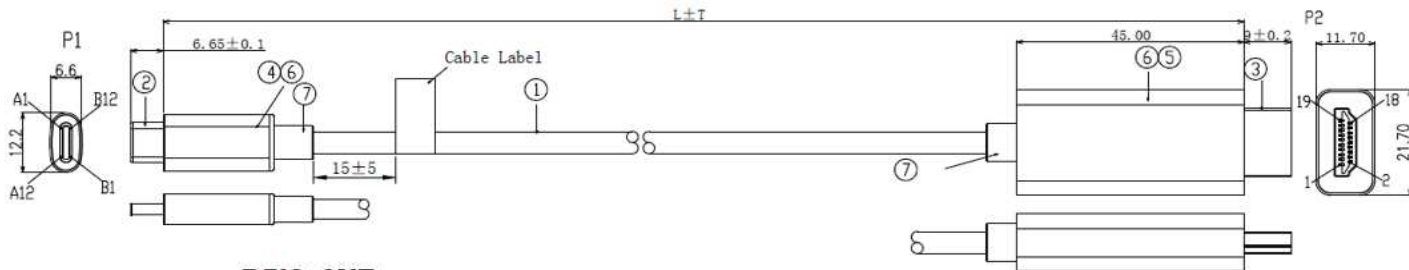
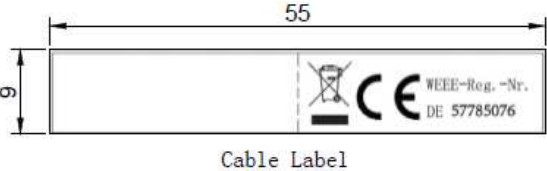
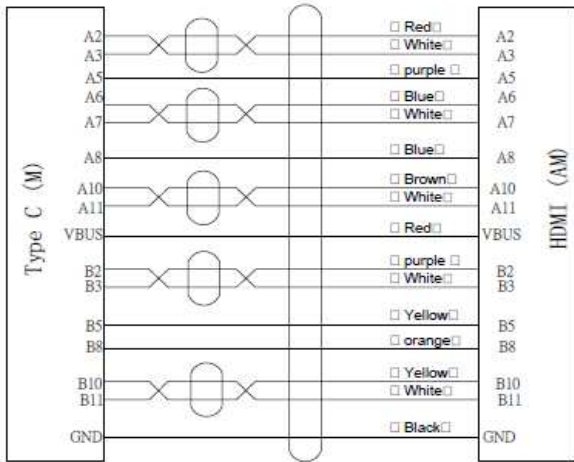


| | | | |
|--|---------|----|-----|
| | REVISED | DR | APP |
| | | | |



PIN OUT



Cable Label

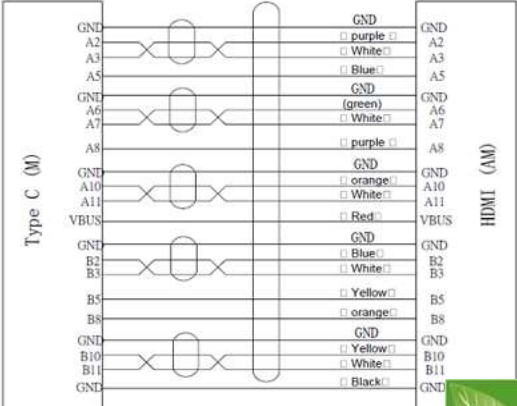
- Connections: USB 3.1 C plug to HDMI A plug
- Resolution: up to 4K2K (30 Hz)
- Alternate Mode
- Plug: moulded
- Wire material: copper
- Plug material: nickel
- Contact surface: gold plated
- ABS shell
- Color: black
- USB Type C reversible plug

NOTE :

- 3840×2160@30Hz resolution
- Operating Temperature:0℃~45℃
- Storage Temperature:-20℃~70℃
- HDMI 1.4V
- ROHS 2.0 and Reach compliant.
- PACKING:1pc/PE Bag+Label



PIN OUT 3m



| | |
|-----------|---|
| 3m | (1P*32#+D+AL+HM) *5P+4C*30#+1C*24#+DA PVC/Black Jacket OD:4.5±0.2 |
|-----------|---|



| | | | | |
|-----|--------------|---|------|--------|
| ⑦ | TUBE END | BLACK PVC | 2 | |
| ⑥ | INNER MOLDED | LDPE | 2 | |
| ⑤ | HOUSING | HDMI A/M Black ABS | 1 | |
| ④ | HOUSING | TYPE C ABS Black | 1 | |
| ③ | HDMI A Male | HDMI 19P A/M, BLACK INSULATION, THE PIN GOLD PLATED , THE SHELL FOR Gold PLATED+PCB | 1 | |
| ② | USB TYPE C | USB TYPE C /M Solder Type, Black PBT Insulation, The Pin Gold Plating, the shell for Gold Plating | 1 | |
| ① | CABEL | (1P*32#+AL+HM) *5P+3C*30#+1C*32#+1C*24#+DA PVC/Black Jacket OD:4.5±0.2 | 1 | |
| NO. | PARTS NAME | SPECIFICATION DESCRIPTION | QT'Y | REMARK |

DESCRIPTION USB 3.1 (C) PLUG - HDMI (A) PLUG, 30 Hz



| | | | | | | | |
|----------------------------------|----|-------|--|----------|--|-----|------------|
| SIZE | A4 | DATE | | CHECKED | | TOL | |
| UNIT | MM | DRAWN | | APPROVED | | | BS10-56025 |
| CUSTOM TARIF NO.: 8517 69 90 000 | | | | | | | |

