

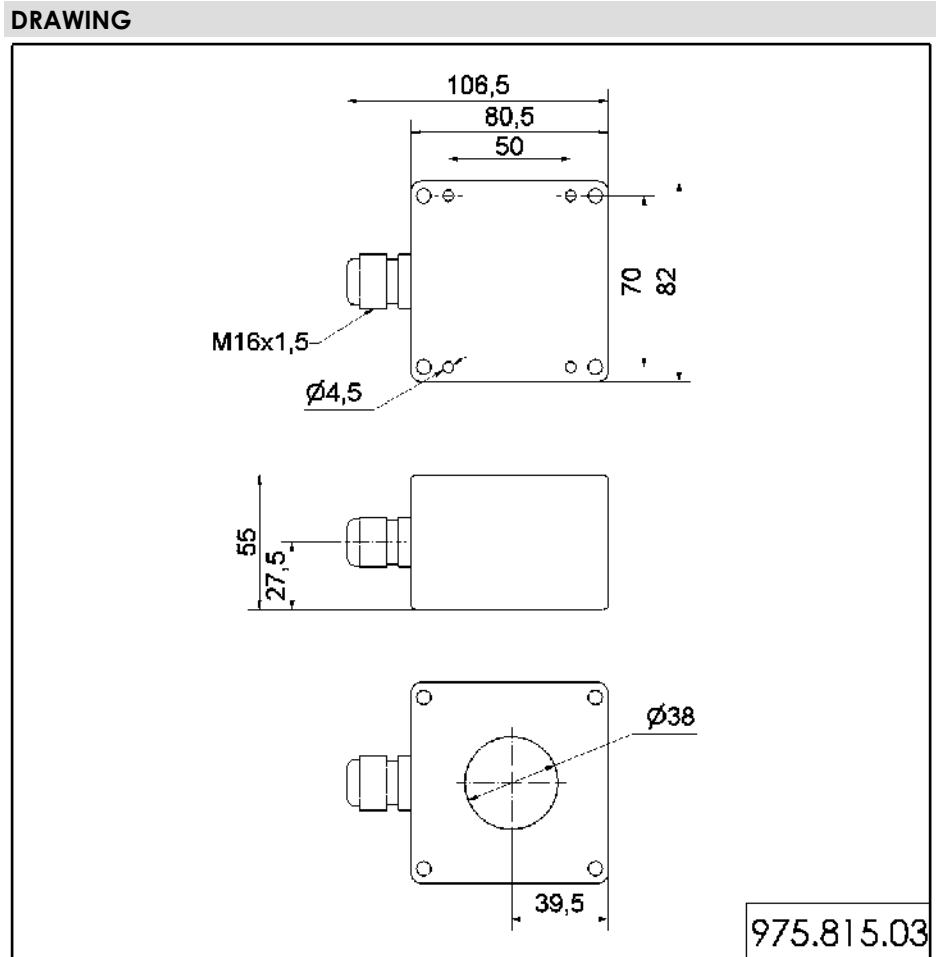
LED Beacon 801 / Accessories
Surface housing 1-fold GY



Part No.: 975.815.03

MECHANICAL DATA	
Length	107 mm
Width	82 mm
Height	55 mm
Materials	ABS
Housing colour	Grey
Protection category	IP65
Weight with packaging	135 g
Product weight	135 g

ELECTRICAL DATA	
Operating voltage type	AC



For additional installation and mounting information, refer to the appropriate user guide at www.werma.com. This printed copy is for information only and is subject to alteration.