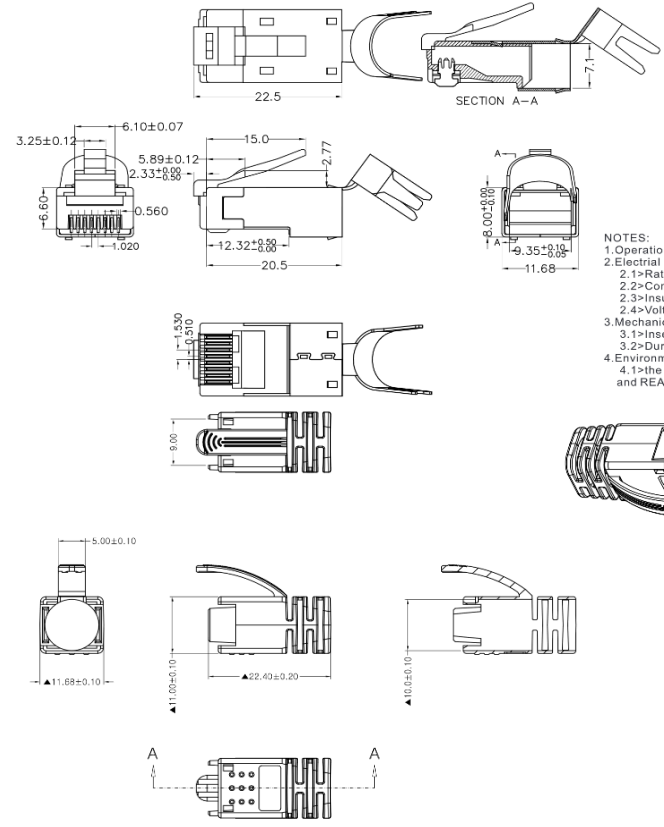
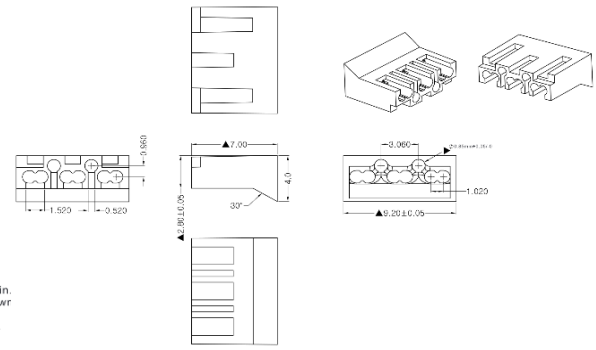


REVISED	DR	APP
---------	----	-----



NOTES:
 1. Operation Temperature: -40°C ~ +85°C.
 2. Electrical Characteristics:
 2.1 > Rated Current : 125V AC, 1.5A @ 25°C.
 2.2 > Contact Resistance : 20mΩ Max.
 2.3 > Insulation Resistance : 500MΩ Min, 100V DC/min.
 2.4 > Voltage Proof: 1000V AC/1 minute no breakdown
 3. Mechanical Characteristics:
 3.1 > Insertion Force & Withdrawal Force : 30N Max.
 3.2 > Durability: 750 cycles Min.
 4. Environmental compliance:
 4.1 > the products are compliant with the RoHS, and REACH etc.



Suitable for assembling your own network cables.
 Due to the 3 prong blades, these modular plugs has a excellent bonding with stranded wire.

With the strain relief, the plug is conductively connected to the shielding of the cable.

A kink protection sleeve and a cable manager (threading aid) are included with the plug.

With the Interlock plugs boot and plugs can be combine very good and secure and its still possible to disassemble the boot from the plug.

- Connector: RJ45 plug
- Contacts: 8P8C, 3 prong blades, 50u gold plated pins
- Fit for stranded wires: 7/28 AWG
- For wire OD (incl. insulator, stranded): 0.8mm
- For cable diameters: 7mm - 7.5mm

- Compatible to: T568A, T568B, Cat. 5 to Cat. 6A cable
- for round cable
- Plug material: Nylon, copper alloy
- Plug shielded: yes
- Plug with metal strain relief
- Crimp assembling
- Color: black, silver
- Color boot: grey

Package Contents:
 · RJ45 plug
 · Cable manager



Material :Transparent black PC

1	CONNECTORS	RJ45 MODULAR PLUG, INTERLOCK, 50μ GOLD PLATED
2	MOLDING	
3	CABLE	
NO	PART NAME	PICTURES AND COLORS CAN DIFFER FROM THE PRODUCT!



DESCRIPTION		RJ45 MODULAR PLUG, INTERLOCK, 50μ GOLD PLATED					
SIZE	A4	DATE	11.04.2023	CHECKED		TOL	FL31-02050
UNIT	MM	DRAWN		APPROVED			
CUSTOM TARIF NO.: 85366990990							

